

Montageanweisung
datatec
Versorgungsmodule

Assembly instructions
datatec
Power distribution box

Instructions de montage
datatec
Modules de distribution

Hauptsitz · Headquarters · Siège

Germany
SCHROFF GMBH
Langenalber Straße 96-100
D-75334 Straubenhardt
Postfach 3
D-75332 Straubenhardt
Tel. (0 70 82) 7 94-0
Fax (0 70 82) 7 94 200
http://www.schroff.de

Auslandswerke · Subsidiaries · Filiales

France
SCHROFF SAS
Z.I. 4, rue du Marais
Boite Postale 16
67660 Betschdorf
Tel. 03 88 90 64 90 · Fax 03 88 90 64 88
http://www.schroff.fr

Great Britain
SCHROFF UK Ltd.
Maylands Avenue
Hemel Hempstead
Herts HP2 7DE
Tel. (0 14 42) 24 04 71 · Fax (0 14 42) 21 35 08
Tel. (0 14 42) 24 04 71 · Fax (0 14 42) 21 35 08

USA
SCHROFF North America
170 Commerce Drive
Warwick, R. I. 02886
Tel. (4 01) 7 32-37 70 · Fax (4 01) 7 38-79 88
e-mail: schroffinfo@schroffus.com
http://www.schroffus.com

HOFFMAN Enclosures Inc.
900 Ehlen Drive
Anoka, Minnesota 55303-7504
Tel. (6 12) 4 21-22 40 · Fax (6 12) 4 22-21 78

Japan
SCHROFF K.K.
Nisso No.13 Bldg. 4F
5-1, Shin-yokohama 2-chome,
Kohoku-ku, Yokohama 222
Tel. (0 45) 4 76-02 81 · Fax (0 45) 4 76-02 89

Sweden
SCHROFF Scandinavia AB
Box 2003 · Flygfältsgatan 11
12821 Skarpnäck
Tel. (08) 7 24 02 40 · Fax (08) 7 24 76 59
http://www.schroff.se

Italy
SCHROFF S.R.L.
Viale Milano, 119 · 21013 Gallarate (Varese)
Tel. (03 31) 79 40 03 · Fax (03 31) 79 34 50

Singapore
HOFFMAN SCHROFF PTE LTD
25 International Business Park
#01-68/71 German Centre
Singapore 60 99 16
Tel. (65) 5 62 78 90 · Fax (65) 5 62 78 99

Auslandsvertretungen · International distributors · Représentations Internationales

Austria
Voltohm Dipl. Ing. Christian Drott KG
A-6832 Sulz · Frutzstraße 4
Tel. ++ 43 (0)5522 49 42-0
Fax ++ 43 (0)5522 421 41
http://www.voltohm.com
e-mail: info@voltohm.com

Australia
B & R Enclosures Pty. Ltd.
10 Industrial Avenue · Wacol Queensland 4076
POB 106, Richlands
Queensland, Australia 4077
Tel. 00 81-7-32 71 23 66
Fax 00 81-7-32 71 36 54

Mayer Krieg & Co.
Electronic & Electrical Components
50 Mary Street, Unley
P.O. Box 686, Unley
Adelaide, South Australia 5061
Tel. (088) 2 91 32 22 · Fax (088) 2 91 32 00

Belgium
Getachnics Multitechnic N.V.
Leuvensesteenweg 262 · 1800 Vilvoorde
Tel. (02) 2 57 02 50 · Fax (02) 2 57 02 59

Canada
SCHROFF, INC.
111 Grangeway Avenue · Suite 504
Scarborough, Ontario M1H 3E9
Tel. (4 16) 2 89-27 70 · Fax (4 16) 2 89-28 83

Switzerland
Rotronic AG
Grindelstraße 6 · 8303 Bassersdorf
Tel. (01) 8 38 12 12 · Fax (02) 2 52 49 57

Czech Republic
ZTC electronic
P.O. Box 34, 149 00 Praha 415
Tel. (02) 67 91 00 82/-5 28 · Fax (02) 67 91 06 41

Denmark
Knud Wexøe A/S
Skættekøret 11 · Postbox 152 · 2840 Holte
Tel. 45 46 58 00 · Fax 45 46 58 01

Spain
CENVAL SA
Ulises 104 · 28043 Madrid
Tel. (01) 7 21 60 10 · Fax (01) 3 00 08 79

Finland
SCHROFF Scandinavia
Peräsimentie 1 · 03100 Nurmela
Tel. (9) 2 22 68 00 · Fax (9) 2 22 38 86

Hungary
NB Electronic Kft.
Kaszásdó u.2 · 1033 Budapest
Tel. (1) 4 39 50 55 · Fax (1) 2 50 00 20

Hong Kong
Alberta Electronic Co. Ltd.
Block C, 10/F Eldex Industrial Building
21 Matawei Road, Hung Hom
Kowloon, Hong Kong
Tel. (852) 2 334-27 88 · Fax (852) 2 330-16 51

Israel
Ram Nir Electronic Packaging & Services
4th, Ben-Gurion St. · Nes-Ziona 74030
Tel. (08) 9 40 36 70 · Fax (08) 9 40 12 86

Ireland
New England
Technical Sales Ltd.
The Diamond Malahide, Co. · Dublin
Tel. (01) 8 45 06 35 · Fax (01) 8 45 36 25

Norway
SCHROFF Scandinavia
Brobekkveien 53 · 0583 Oslo
Tel. 22 63 04 40 · Fax 22 65 64 16

The Netherlands
Geveke Electronics bv
Componenten & Systemen
Donauweg 10 · 1043 aj Amsterdam
Postbus 652 · 1000 ar Amsterdam
Tel. (0 20) 5 86 15 43 · Fax (0 20) 5 86 19 85
Telex 18 5556

New Zealand
Mayer Krieg (N.Z.) Limited
Electronic & Electrical Components
34 C Hobill Avenue Manukau City, Auckland
Tel. (09) 2 62 24 61 · Fax (09) 2 62 24 74

Portugal
ARESTEL S.A.
Componentes e Equipamentos
Electronicos, S.A.
Pct. Proj. à Av. Mário Moutinho
Lote 1528 Cave · 1400 Lisboa
Tel. (01) 3 03 08 50 · Fax (01) 3 01 62 21

Poland
Ryszard Platek
SCHROFF Representative
Koncertowa 6/49 · 02-784 Warszawa
Tel. (48) 22-6 41 96 69 · Fax (48) 22-6 41 96 69

Taiwan
LUMAX International Corp. Ltd.
Taichung Branch · 10F-2, 20 Da-Long Road
TCC Building, Taichung
Tel. (886)-4-329-5957 · Fax (886)-4-329-5845

Indonesia
PT Himalaya Everest Jaya
Jl. Daan Mogot No. 119, Blok C, 6-7
Jakarta 11470
Tel. (62) 21-566-1958 · Fax (62) 21-566-1733

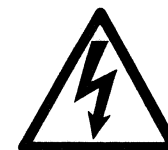
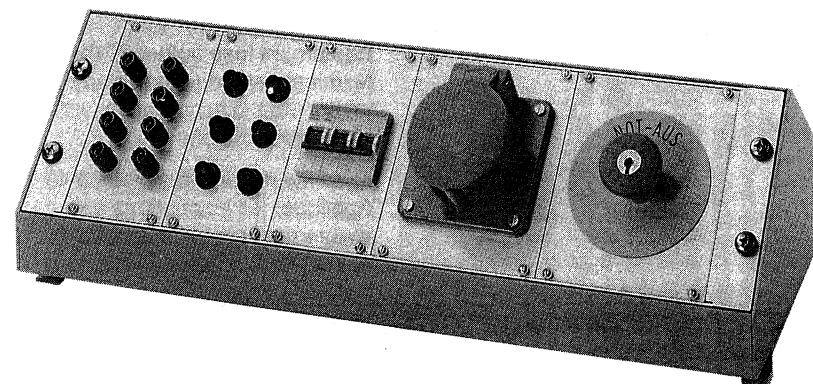
Korea
ARA Electronics Co., Ltd.
105, Dangjeong-Dong; Kumpo City
Kyunggi-Do, 435-030
Tel. (82-343) 55-04 80 · Fax (82-343) 55-46 10

Russia
PROSOFT
108, Profsouznyaya str., · 117437 Moscow
Tel. (0 95) 2 34 06 36 · Fax (0 95) 2 34 06 40

Slovenia
IC Elektronika d.o.o.
Vodovodna 100 · PP 2514 · 1001 Ljubljana
Tel. (61) 1 65 31 50 25 · Fax (61) 1 65 31 70 20

Thailand
Eietech International Corp. Ltd.
71, 71/1-4 Prayasrain Road
Bangchen Moo 4, Minburi · Bangkok 10510
Tel. (66) 2-513-140 85 · Fax (66) 2-517-83 97

South Africa
Pascom Electronics (Pty.) Ltd.
P.O. Box 76132 · Wendywood 2144
Tel. (0 11) 4 44-10 01 · Fax (0 11) 4 44-10 80



Elektromontage nur durch Fachpersonal zulässig.
VDE-Vorschriften beachten.

Electrical installation must be carried out by qualified
electrical engineer in accordance with IEE regulations.

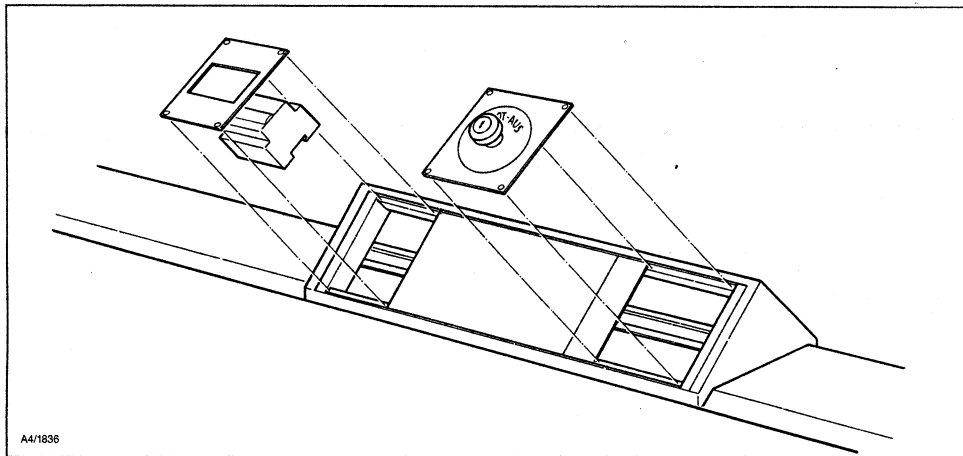
Raccordement électrique par personnel qualifié.
Respecter la norme VDE.

SCHROFF GMBH

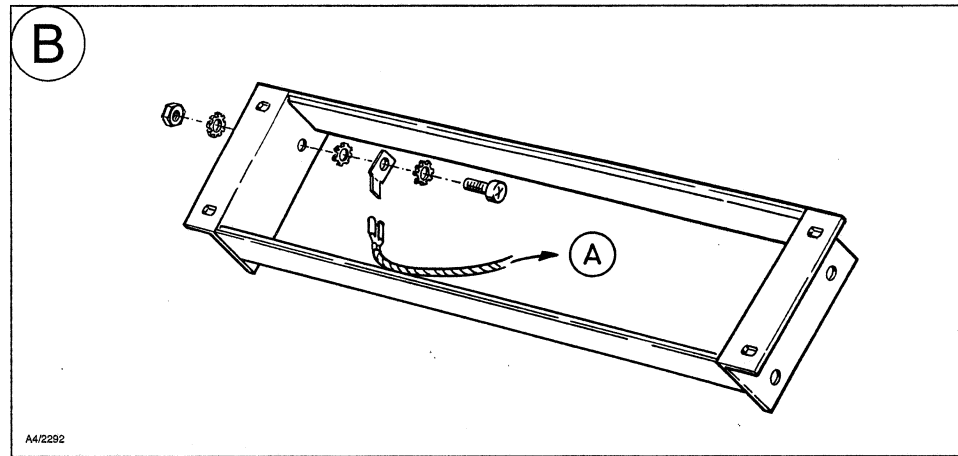
10/98

Postfach 3 · D-75332 Straubenhardt · Telefon (0 70 82) 7 94-0 · Telefax (0 70 82) 7 94 200

D/GB/F 4/99 3



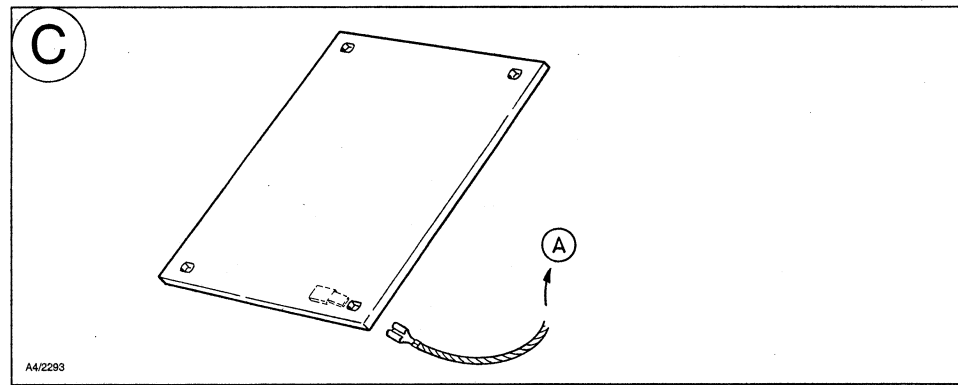
A4/1836



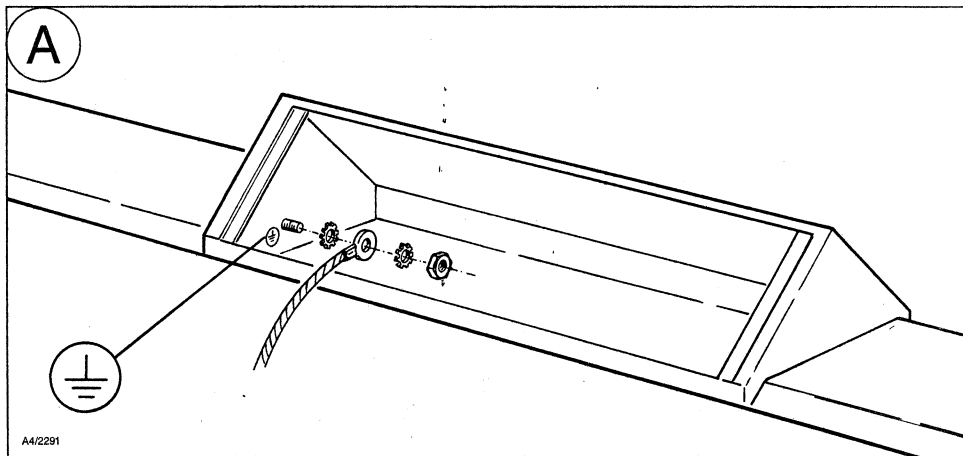
A4/2292

Gerätesicherungshalter 20119-153
 Nenndaten auf Frontseite gut
 sichtbar anbringen, gemäß VDE!
 Equipment fuse holder 20119-153
 Nominal data must be clearly visible
 on the front in accordance with
 VDE specifications!
 Face avant porte-fusibles 20119-153
 Appliquer les inscriptions bien
 visiblement sur la face avant,
 selon VDE!

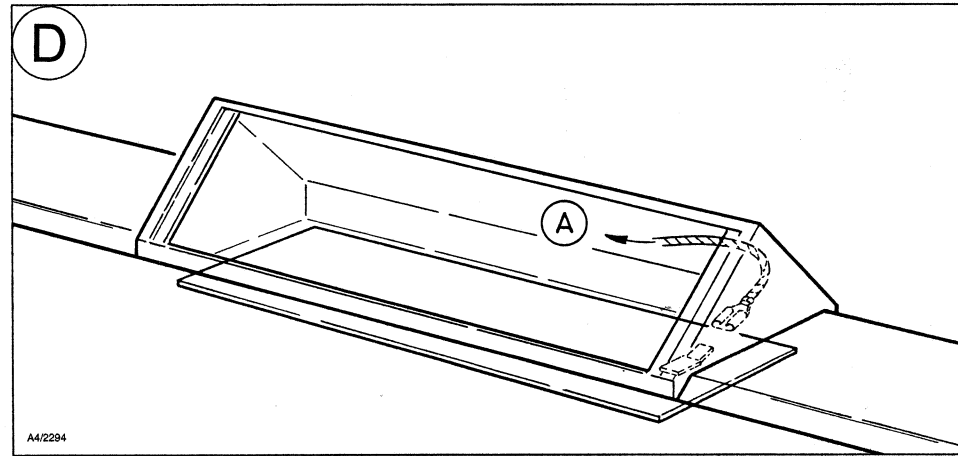
A4/2290



A4/2293



A4/2291



A4/2294