

# Data sheet

## E-DAT C6<sub>A</sub> IDC 1 Port UPk pure white

Page 1/6

P/N  
130D371102-I

EAN 4251394675978

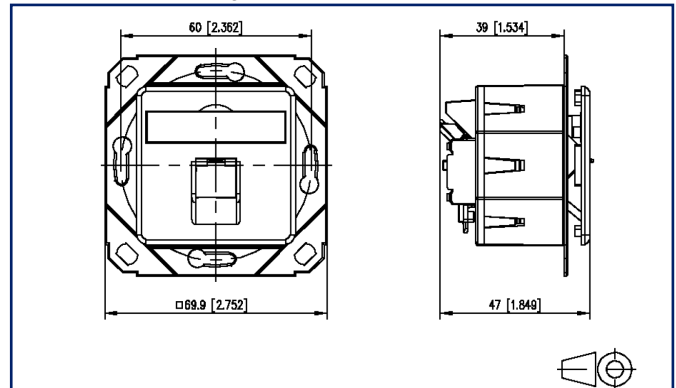
2025/08/01

Version: A

### Illustrations



Dimensional drawing



See enlarged drawings at the end of document

### Product specification

The RJ45 data wall outlet from METZ CONNECT impresses with maximum versatility and technical precision. It supports all common network standards - from classic telephony to high-performance 10-Gigabit Ethernet applications. Thanks to Power over Ethernet (PoE) up to 90 watts, IP-based devices such as cameras, access points, or VoIP phones can also be powered via the same cable. Made of high-quality die-cast zinc, the outlet not only offers exceptional durability but also optimal EMC protection. Thanks to the patented, optimized cable entry, the data outlet can be flexibly integrated into almost any installation scenario, and the proven IDC connection technology enables quick, tool-free, and error-free installation - ideal for professional users.

- variants, mounting type: AP, UP, UPk, UP0
- variants, number of ports: 1, 2



# E-DAT C6<sub>A</sub> IDC 1 Port UPk pure white

P/N

130D371102-I

EAN 4251394675978

2025/08/01

Version: A

## Technical Data

### General Data

Mechanical measurement according to MICE	M1
Ingress measurement according to MICE	I1
Climatic measurement according to MICE	C1
Electromagnetic measurement according to MICE	E2
Mounting style	UPk
Mounting in standard flush-mounted and cavity wall cups	yes
Shielding	shielded
Color	pure white - RAL 9010
Compatible with design centerpieces of switch programs	yes, see compatibility list
Dimensions	
Dimension (L x W x H)	47 mm x 69.9 mm x 69.9 mm
Dimension (L x W x H)	1.85 in. x 2.752 in. x 2.752 in.
Labeling option	label window with identification label

### Transmission characteristics

Transmission rate up to 100 MBit (Fast Ethernet)	IEEE 802.3bw
Transmission rate up to 1 GBit (Fast Ethernet)	IEEE 802.3ab
Transmission rate up to 10 GBit	IEEE 802.3an

### Connections/interfaces

Termination data, solid wire (min. - max.)	
Conductor cross section, solid wire	AWG 26/1 - AWG 22/1
Conductor cross section, solid wire	0.128 mm <sup>2</sup> - 0.324 mm <sup>2</sup>
Conductor diameter, solid wire (bare copper)	0.409 mm - 0.643 mm
Conductor diameter, solid wire (bare copper)	0.016 in. - 0.025 in.
Cable sheath diameter (min. - max.)	
Cable sheath diameter	5.5 mm - 10.0 mm
Cable sheath diameter	0.197 in. - 0.394 in.

## Technical Data

### Electrical characteristics

Current carrying capacity	max. 1 A at 60 °C
Rated voltage	60 V
Contact resistance	20 mOhm
Insulation resistance	500 MOhm

### Mechanical data

Position/mounting of latch standard installation position	top
strain relief	Holder on housing

### Materials and material properties

Material - Supporting frame	GD-Zn
Material - Label window	PC, transparent
Material - Dust protection	ABS
Material - Contact	Hyper Ph-Br
Material - Contact finish	AuCo
Material - Shield	CuSn4
Material - Shield finish	tinned
Halogen free	yes

### Environmental conditions

Temperature (min. - max.)	
Temperature - Storage °C	-40 °C - 70 °C
Temperature - Storage °F	-40 °F - 158 °F
Temperature - Operating °C	-40 °C - 70 °C
Temperature - Operating °F	-40 °F - 158 °F
IP class	IP20

**Data sheet**  
**E-DAT C6<sub>A</sub> IDC 1 Port UPk pure white**

**P/N**  
**130D371102-I**  
**EAN 4251394675978**  
 2025/08/01  
 Version: A

**Technical Data**

**Certifications**

GHMT Type Approval		Component
--------------------	---	-----------

**Standards/Regulations**

General requirements	ISO/IEC 11801-1:2017-11   DIN EN 50173-1:2018-10 ANSI/TIA-568.2-D
Office buildings	ISO/IEC 11801-2:2017-11   DIN EN 50173-2:2018-10 ANSI/TIA-568.2-D
Living units	ISO/IEC 11801-4:2017-11   DIN EN 50173-4:2018-10 ANSI/TIA-570-D
Distributed building services	ISO/IEC 11801-6:2017-11   DIN EN 50173-6:2018-10 ANSI/TIA-862-B
Free and fixed connectors	DIN EN 60603-7-51:2011-01, DIN EN 60603-7:2022-10, DIN EN 60603-7-1:2012-01
Endurance tests	DIN EN 60603-7:2022-10, DIN EN 60603-7-1:2012-01
Degrees of Protection Provided by Enclosures	IEC 60529
Climate tests	DIN EN 60603-7:2022-10, DIN EN 60603-7-1:2012-01

**Classifications**

ETIM 8.0	EC001264
ETIM 9.0	EC001264
ETIM 10.0	EC001264

**Packing details**

Type of packaging	10 pc(s) / box
-------------------	----------------

**Application note**

This product is a standard product of METZ CONNECT. METZ CONNECT is not aware of the specific intended use of the goods by the Customer or any customers of the Customer. The Customer guarantees that it has fully and sufficiently tested the use of the goods and any product modifications, product changes or product enhancements with regard to the specific intended use in accordance with the state of the art or in any other way. At METZ CONNECT's request, the Customer shall submit and make available meaningful evidence (e.g. test and laboratory protocols, certifications, etc.).

© 2025 METZ CONNECT - Technische Änderungen vorbehalten! Subject to modifications! Sous réserve de modifications techniques!

Data sheet  
**E-DAT C6<sub>A</sub> IDC 1 Port UPk pure white**

Page 5/6

P/N  
**130D371102-I**  
**EAN 4251394675978**  
2025/08/01  
Version: A

## Accessories

P/N	Designation
140302-01-E	Jokari dismantle tool
820394-0105-I	Dust protection covers for wall outlets yellow
820394-0106-I	Dust protection covers for wall outlets blue
820394-0107-I	Dust protection covers for wall outlets green
820394-0108-I	Dust protection covers for wall outlets red

Data sheet  
**E-DAT C6<sub>A</sub> IDC 1 Port UPk pure white**

Page 6/6

P/N  
130D371102-I  
EAN 4251394675978  
2025/08/01  
Version: A

**Illustrations**

Dimensional drawing

