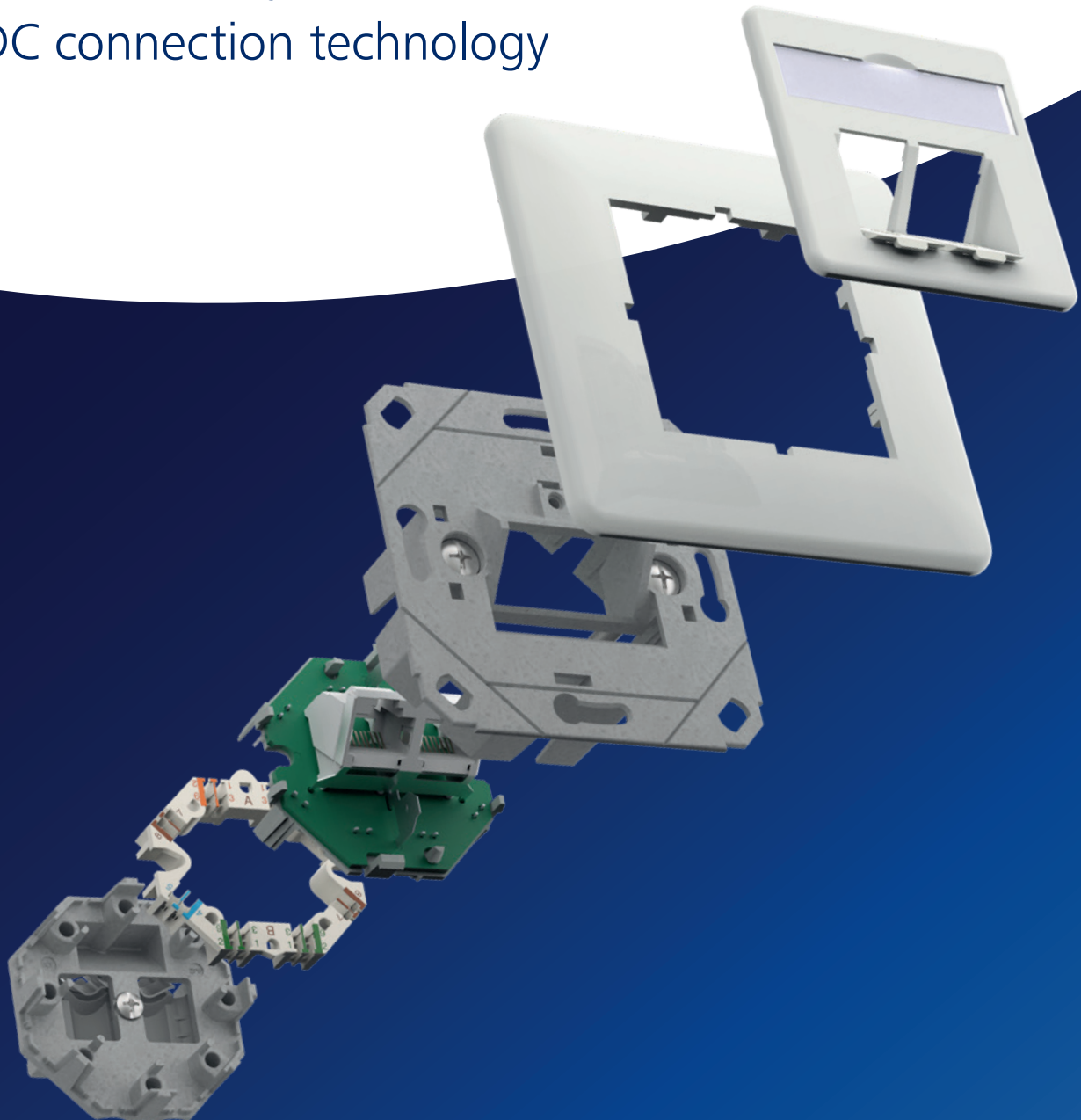




We realize ideas

# The innovative RJ45 wall outlet

Quick and easy installation with  
IDC connection technology



## Reliable connection for high-performance network infrastructures

Digital networking is advancing rapidly - in office buildings, industrial plants, data centers and even in private homes, the requirements for high-performance network cabling are constantly increasing. The innovative RJ45 wall outlet from METZ CONNECT offers the ideal solution for a

reliable, high-performance and future-proof passive network infrastructure. With the highest quality workmanship, robust design and simple installation, it sets new standards in terms of functionality, flexibility and durability.

## Compact performance - flexible, robust and future-proof.

The RJ45 wall outlet data connection socket from METZ CONNECT impresses with maximum versatility and precision. It supports all common network standards - from classic telephony to powerful 10 Gigabit Ethernet applications. Thanks to Power over Ethernet (PoE) up to 90 watts, IP-based end devices such as cameras, access points or VoIP telephones can also be supplied with power via the same cable.

Manufactured from high-quality zinc die-cast, the socket not only offers a particularly long service life, but also optimum EMC protection. Thanks to the patented

and optimized cable feed, the data socket can be flexibly integrated into almost any installation scenario.

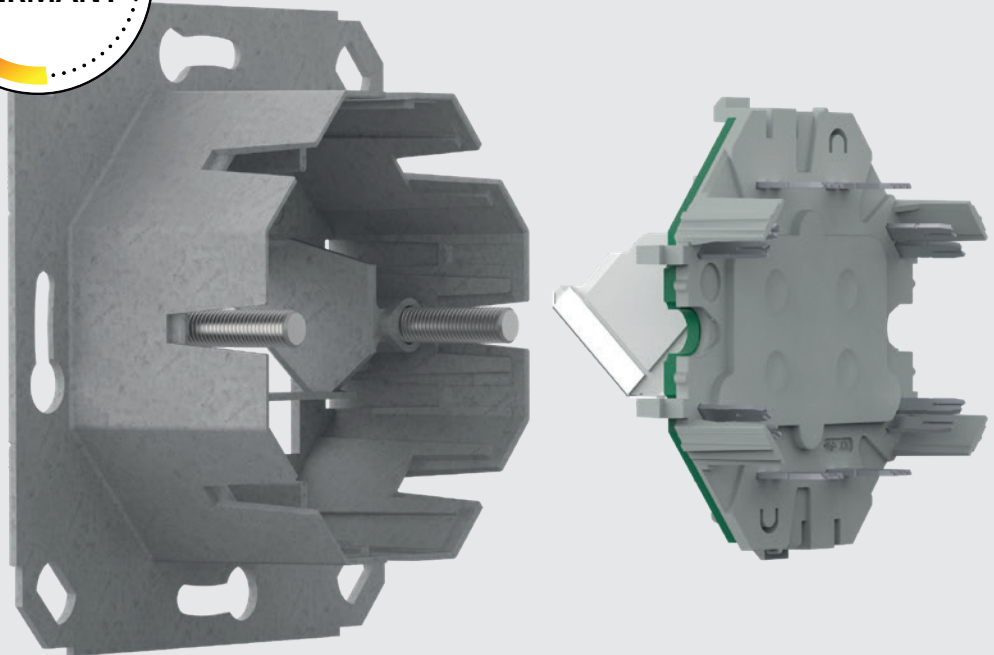
The wall outlet is available as an IDC variant, which enables quick connection without special tools, and as an LSA variant for connection with the familiar LSA crimp tool.



# Properties

## Material

- > Robust housing made from zinc die-cast
- > EMC-optimized



## Design

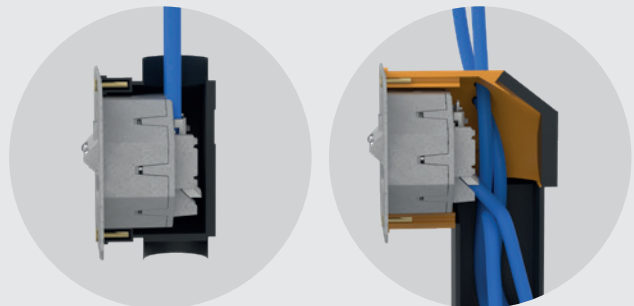
- > Design-capable - Compatible with the design-capable switch ranges of the well-known manufacturers

## PoE support

- > Up to 90 W (PoE, 4PPoE, PoE+, PoE++)

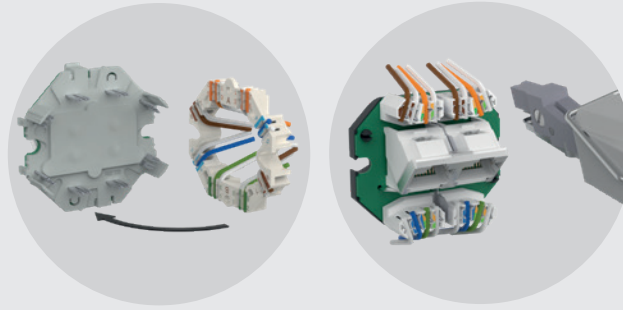
## Assembly

- > Quick installation on site
- > Compatible with all common flush-mounted or cavity wall boxes
- > Standardized dimensions for common installation environments



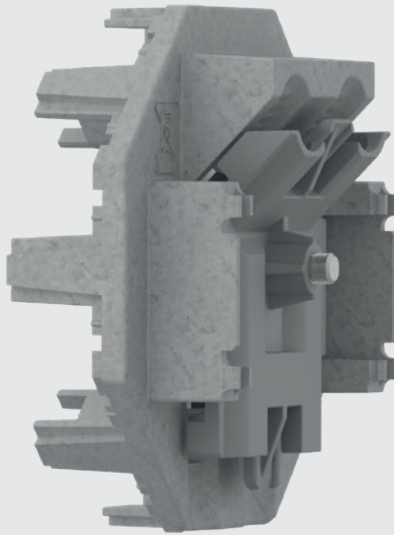
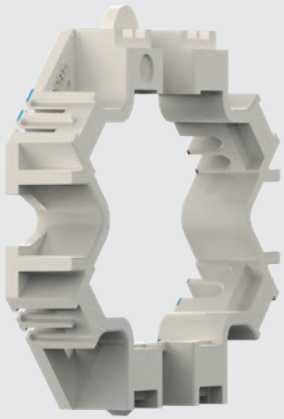
## Shielding

- > 360° shielded and EMC-optimized housing against electromagnetic radiation for interference-free signal transmission



## Connection technology

- > IDC - quick and easy installation without special tools
- > LSA ++ - quick and easy installation with familiar LSA crimp tool

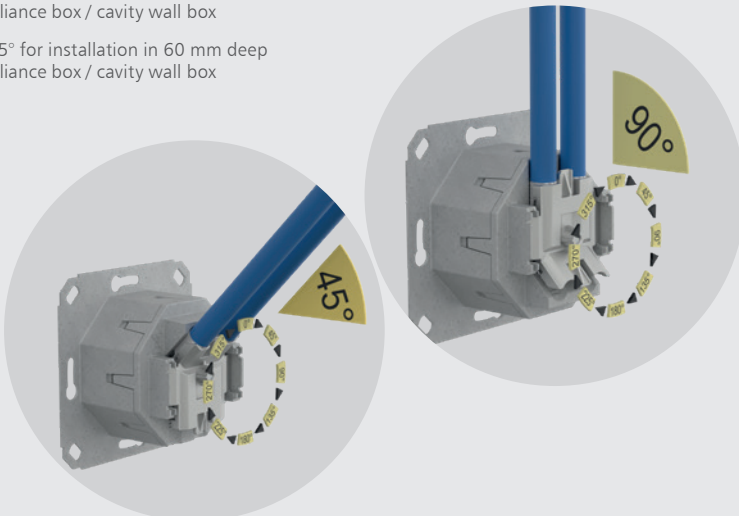


## Certifications

- > GHMT Type Approval

## Cable feed

- > 8x90° for installation in 40 mm deep appliance box / cavity wall box
- > 8x45° for installation in 60 mm deep appliance box / cavity wall box



## Network performance

- > Up to 10 GBit/s

# Overview of variants

Reliable connection for high-performance network infrastructures



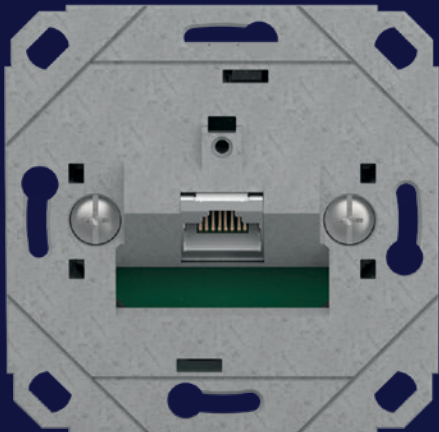
UP = Flush-mounted

METZ CONNECT wall outlets are available in a wide range of variants to suit different installation situations and environments.

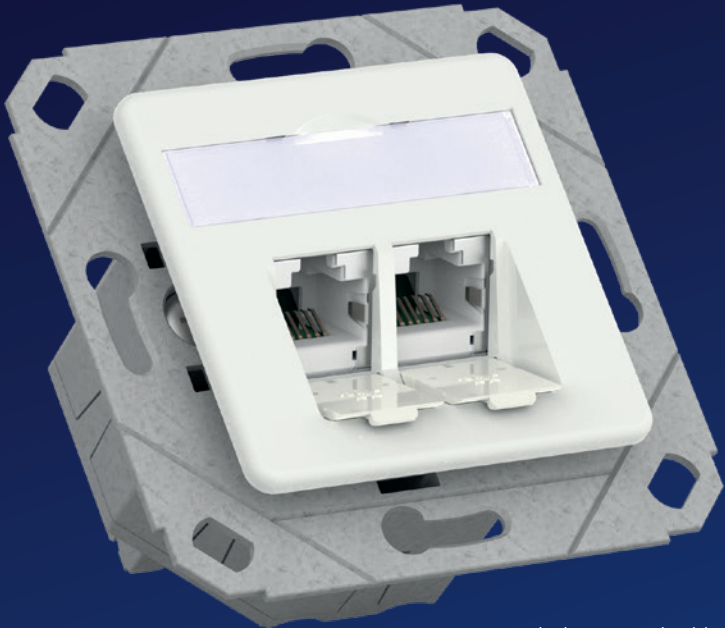
They differ in the number of ports (1-gang, 2-gang), in the color - pure white glossy/matt (RAL 9010) or traffic white glossy (RAL 9016) - as well as in the type of installation: AP = surface-mounted, UP = flush-mounted, UPK = for installation in cable ducts, UP0 = suitable for designer switch ranges. This means there is a suitable solution for every application.

- > Mounting types: AP (surface-mounted), UP (flush-mounted), UPK, UP0
- > Number of ports: 1-gang or 2-gang
- > Optionally available: matching frames, inscription inserts, colored dust protection covers.

UP0 = Flush-mounted for designer switch ranges

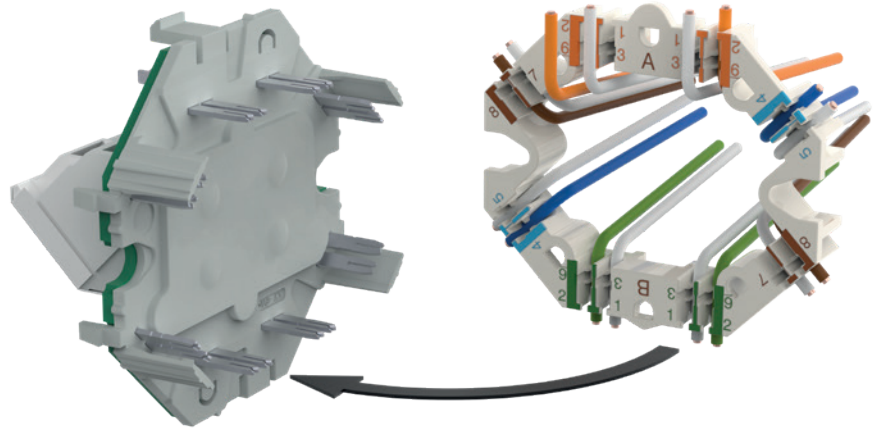


AP = Surface-mounted



UPK = Flush-mounted cable duct

# Wall outlet E-DAT C6<sub>A</sub> IDC\*



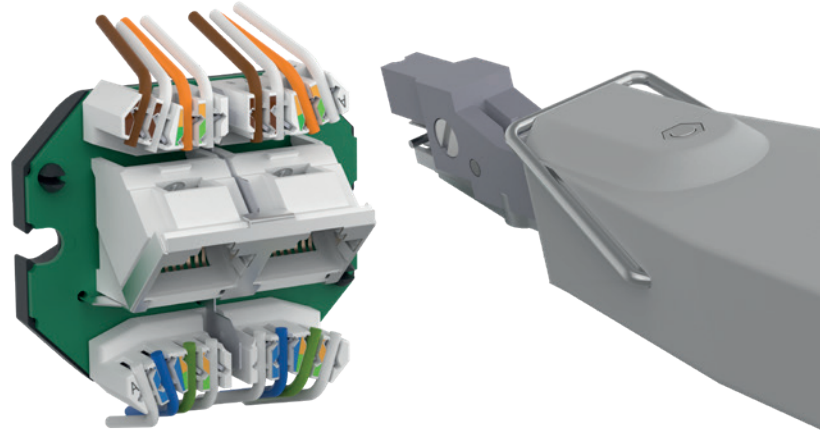
\*Connection without special tools



Description	Mounting type	Number of ports	Color	P/N
E-DAT C6 <sub>A</sub> IDC 1 port AP pure white	AP = Surface-mounted	1	pure white RAL 9010	130D370002-I
E-DAT C6 <sub>A</sub> IDC 1 port UP pure white	UP = Flush-mounted	1	pure white RAL 9010	130D371002-I
E-DAT C6 <sub>A</sub> IDC 1 port UPK pure white	UPK = Flush-mounted cable duct	1	pure white RAL 9010	130D371102-I
E-DAT C6 <sub>A</sub> IDC 2 port AP pure white	AP = Surface-mounted	2	pure white RAL 9010	130D380002-I
E-DAT C6 <sub>A</sub> IDC 2 port UP pure white	UP = Flush-mounted	2	pure white RAL 9010	130D381002-I
E-DAT C6 <sub>A</sub> IDC 2 port UPK pure white	UPK = Flush-mounted cable duct	2	pure white RAL 9010	130D381102-I
E-DAT C6 <sub>A</sub> IDC 1 port AP traffic white	AP = Surface-mounted	1	traffic white (RAL 9016)	130D370027-I
E-DAT C6 <sub>A</sub> IDC 1 port UP traffic white	UP = Flush-mounted	1	traffic white (RAL 9016)	130D371027-I
E-DAT C6 <sub>A</sub> IDC 1 port UPK traffic white	UPK = Flush-mounted cable duct	1	traffic white (RAL 9016)	130D371127-I
E-DAT C6 <sub>A</sub> IDC 2 port AP traffic white	AP = Surface-mounted	2	traffic white (RAL 9016)	130D380027-I
E-DAT C6 <sub>A</sub> IDC 2 port UP traffic white	UP = Flush-mounted	2	traffic white (RAL 9016)	130D381027-I
E-DAT C6 <sub>A</sub> IDC 2 port UPK traffic white	UPK = Flush-mounted cable duct	2	traffic white (RAL 9016)	130D381127-I
E-DAT C6 <sub>A</sub> IDC 1 port UP0	UP0 = Flush-mounted for designer switch ranges	1	metallic	130D371200-I
E-DAT C6 <sub>A</sub> IDC 2 port UP0	UP0 = Flush-mounted for designer switch ranges	2	metallic	130D381200-I



# Wall outlet E-DAT C6<sub>A</sub> LSA++\*



\*Connection with LSA crimp tool





Description	Mounting type	Number of ports	Color	P/N
E-DAT C6 <sub>A</sub> LSA++ 1 port AP pure white	AP = Surface-mounted	1	pure white RAL 9010	130E370002-I
E-DAT C6 <sub>A</sub> LSA++ 1 port UP pure white	UP = Flush-mounted	1	pure white RAL 9010	130E371002-I
E-DAT C6 <sub>A</sub> LSA++ 1 port UPK pure white	UPK = Flush-mounted cable duct	1	pure white RAL 9010	130E371102-I
E-DAT C6 <sub>A</sub> LSA++ 2 port AP pure white	AP = Surface-mounted	2	pure white RAL 9010	130E380002-I
E-DAT C6 <sub>A</sub> LSA++ 2 port UP pure white	UP = Flush-mounted	2	pure white RAL 9010	130E381002-I
E-DAT C6 <sub>A</sub> LSA++ 2 port UPK pure white	UPK = Flush-mounted cable duct	2	pure white RAL 9010	130E381102-I
E-DAT C6 <sub>A</sub> LSA++ 1 port AP traffic white	AP = Surface-mounted	1	traffic white (RAL 9016)	130E370027-I
E-DAT C6 <sub>A</sub> LSA++ 1 port UP traffic white	UP = Flush-mounted	1	traffic white (RAL 9016)	130E371027-I
E-DAT C6 <sub>A</sub> LSA++ 1 port UPK traffic white	UPK = Flush-mounted cable duct	1	traffic white (RAL 9016)	130E371127-I
E-DAT C6 <sub>A</sub> LSA++ 2 port AP traffic white	AP = Surface-mounted	2	traffic white (RAL 9016)	130E380027-I
E-DAT C6 <sub>A</sub> LSA++ 2 port UP traffic white	UP = Flush-mounted	2	traffic white (RAL 9016)	130E381027-I
E-DAT C6 <sub>A</sub> LSA++ 2 port UPK traffic white	UPK = Flush-mounted cable duct	2	traffic white (RAL 9016)	130E381127-I
E-DAT C6 <sub>A</sub> LSA++ 1 port UP0	UP0 = Flush-mounted for designer switch ranges	1	metallic	130E371200-I
E-DAT C6 <sub>A</sub> LSA++ 2 port UP0	UP0 = Flush-mounted for designer switch ranges	2	metallic	130E381200-I

# Accessories

Matching accessories for a consistently compatible, high-performance system









## Tools

	Description	P/N
	Crimp Tool LSA-PLUS®	130818-E
	Jokari dismantle tool	140302-01-E




## Central piece

	Description	P/N
	Cover plate 80 x 80 mm, pure white	816718-0102-I
	Cover plate 80 x 80 mm, traffic white	816718-0127-I
	Central plate 50 x 50 mm 1 port, pure white	860056-02-I
	Central plate 50 x 50 mm 1 port, traffic white	860056-27-I
	Central plate 50 x 50 mm 2 port, pure white	860023-02-I
	Central plate 50 x 50 mm 2 port, traffic white	860023-27-I







### Patch cables

	Description	P/N
	Patch cord RJ45 Cat.6 <sub>A</sub> AWG 26	130845XYZ-E





### Installation cables

	Description	P/N
	MC GC1300 pro22 Cat.7 <sub>A</sub> S/FTP 4P LSHF-FR 100 m, class D <sub>ca</sub> s1 d1 a1	1308427B34145
	MC GC1300 pro22 Cat.7 <sub>A</sub> S/FTP 2x4P LSHF-FR 500 m, class D <sub>ca</sub> s1 d1 a1	1308427B34143
	MC GC1000 plus23 Cat.7 S/FTP 4P LSHF 500 m, class E <sub>ca</sub>	1308427032141
	MC GC1000 plus23 Cat.7 S/FTP 2x4P LSHF 500 m, class E <sub>ca</sub>	1308427032143



### Surface-mounted frames

	Description	P/N
	Surface mount frame 85 x 85 x 43 mm - single, pure white	130829-4302-I
	Surface mount frame 85 x 85 x 43 mm - single, traffic white	130829-4327-I

**METZ CONNECT GmbH**

Im Tal 2  
78176 Blumberg  
Germany

Phone +49 7702 533-0  
Fax +49 7702 533-189

info@metz-connect.com  
www.metz-connect.com

---

**METZ CONNECT USA Inc.**

200 Tornillo Way  
Tinton Falls, NJ 07712  
USA

Phone +1 732 389 1300  
Fax +1 732 389 9066

**METZ CONNECT France SAS**

28, Rue Schweighaeuser  
67000 Strasbourg  
France

Phone +33 3886 17073  
Fax +33 3886 19473

**METZ CONNECT AUSTRIA GmbH**  
c/o German chamber of commerce  
in Austria

Schwarzenbergplatz 5, Top 3/1  
1030 Vienna  
Austria

Phone +43 1 227 12 64  
Fax +43 1 227 12 66

**METZ CONNECT Zhongshan Ltd.**

Ping Chang Road  
Ping Pu Industrial Park  
Sanxiang Town  
Zhongshan City, 528463  
Guangdong Province  
China

Phone +86 760 86365 055  
Fax +86 760 86365 050

**METZ CONNECT Asia Pacific Ltd.**

Suite 1803, 18/F  
Chinachem Hollywood Centre,  
1 Hollywood Road, Central  
Hong Kong

Phone +852 26 027 300  
Fax +852 27 257 522