



Technical Specifications

MOBOTIX MOVE 2MP Varifocal IR Vandal Turret

The MOBOTIX MOVE 2MP Varifocal IR Vandal Turret is designed to bring clarity and vigilance to your surveillance needs. This state-of-the-art turret camera combines advanced features with a compact and sleek design, making it an ideal choice for various indoor and outdoor applications. The Vari-Focal Turret Camera allows you to easily remote adjust the field of view and focus by a motorized lens, ensuring optimal positioning and alignment to meet the specific requirements of your surveillance scenario. The camera's weather-resistant design IP67 and IK10 ensures reliable operation even in challenging environmental conditions. Its compact turret form factor, combined with easy installation options, makes it a hassle-free choice.

- High Low-Light sensitivity
- 1/2.8" Progressive CMOS
- Motorized Vari-Focal Lens 2.7mm to 13.5mm
- WDR up to 120 dB
- Integrated adaptive IR Illumination working distance up to 30m.
- Triple Streaming H.264/H.265/MJPEG
- 2D & 3D Motion Compensated Noise Reduction (MCTF)
- ONVIF Profile S/G/T/M support
- Micro SD Card supports up to 512 GB.
- Integrated Microphone
- NDAA compliant
- Dual power Supply IEEE802.3af Class 3 / DC 12 V
- Temp. Range -30°C to 60°C/-22°F to 140 °F with heater
- Protection Rate IP67 / IK10
- Intelligent Encoding, Smart Low Bitrate Control is same as Smart compression offering optimally useable bandwidth and storage.

Technical Specifications

MOBOTIX MOVE 2MP Varifocal IR Vandal Turret

Product Information

| | |
|--------------|--------------------------------|
| Product Name | 2MP Varifocal IR Vandal Turret |
| Order Code | Mx-VT1A-203-IR |

Image Quality

| | |
|-------------------------|--|
| Image Sensor | 2MP 1/2.8" Progressive CMOS |
| Effective (Used) Pixels | H x V = 1920x1080 (2MP) |
| Pixel Size | 2.9 μm |
| Frame Rate (maximum) | WDR on/off: H.265/H.264: 2MP@30 fps MJPEG: 2MP@30 fps |

Hardware Design

| | |
|-----------|---------------------------------------|
| Processor | NT98560 |
| Memory | RAM: 512 MBytes, FLASH: 256 MBytes |

Lens

| | |
|----------------------|---|
| Minimum Illumination | Color: 0.03 lux B/W: 0.01 lux, (0 lux, IR on) F1.6, AGC=on, 30 IRE, 1/1 s |
| Lens Characteristics | Vari-Focal Lens Focal Length: 2.7mm to 13.5mm Aperture: F1.4-2.8 H x V FOV: 111°-34°(H) 61°-19°(V) |

Camera

| | |
|---------------|--|
| Day/Night | Automatically switchable IR-cut filter |
| Shutter Speed | Auto / Manual / WDR: 1 to 1/10000 s |

| | |
|-----------------------|--|
| Shutter Priority Mode | Up to 1/7.5 s |
| Gain Control: | Off/Automatic/Manual (0-36 dB) |
| WDR | Up to 120 dB |
| Zoom | Motorized optical: 2.67x |
| Image Settings | Color, Brightness, Sharpness, Contrast, White Balance, Gain Control, 2DNR, 3DNR, BLC, EV, Gamma corection, Saturation, Hue |
| Image Rotation | 90°, 180°, 270° |
| Camera Body Adjust | Pan/Tilt/Rotation |

Video Codec

| | |
|----------------------|---|
| Compression/Encoding | H.265/H.264/MJPEG |
| Streaming | Up to 3 individually configurable streams in H.264/H.265/MJPEG. Configurable resolution, frame rate, bandwidth CVBR/CBR/istream in H.265/H.264 |

Audio Codec

| | |
|----------------------|-----------------------|
| Compression/Encoding | G.711a/u |
| Streaming | One-way |
| Audio Input | Integrated Microphone |

Network

| | |
|---------------------|---|
| Interface | 10/100 Mbps Ethernet |
| Supported Protocols | ARP, DHCP, DNS, FTP, HTTP, HTTPS, ICMP, IGMP, IPv4/6, NTP, RTSP/RTCP/RTP, RTMP, QoS, SMTP, SNMP v1/2c/3, TCP, TLS/TTLS, UDP, UPnP, 802.1X, Bonjour, DDNS, PPPoE |
| ONVIF conformance | Supports profiles S/G/T/M |
| Supported Browsers | Microsoft Edge, Firefox, Google Chrome |

Technical Specifications

MOBOTIX MOVE 2MP Varifocal IR Vandal Turret

System Integration

Event Actions

- Schedule Recording (JPG/MP4)
- Video Analytics (Line Counting, Border Line)
- Video and audio recording to edge storage
- File upload: FTP and email
- Notification: Email (JPG)
- OSD indication
- SD Card recording (*JPG/MP4)

General

Housing material

Metal

IR Illumination

Adaptive IR - up to 30 m distance depending on scenery reflection

Video Storage

Micro SD card support up to 512 GB.
Support for recording to MOVE NVR, MOBOTIX Cloud (via MOBOTIX Bridge), MOBOTIX HUB, MxMC (via MOBOTIX NAS)

Remotely Upgradable

Yes

Power Requirements

IEEE802.3af, class 3, max 10 watt
DC12V, max 10 watt

Connectors

- RJ45
- 1 x DC 12V Jack Socket
- 1 x Reset / Default Button

Environmental Protection Class

IP67/IK10

Operating Temperature

-30°C to 60°C/-22°F to 140 °F with heater

Relative Humidity

95 % non-condensing

Storage Conditions

-40 to 60 °C/-4 to 158 °F

Approvals

EMC: CE/FCC
Safety: LVD

Technical Specifications

MOBOTIX MOVE 2MP Varifocal IR Vandal Turret

| | |
|------------|---|
| Warranty | 5 years; mechanically wearable parts (motor, gears, belts, etc.) excluded |
| Dimensions | ø 120 x 104 mm (overall) |
| Weight | 715 g |

NOTE! Observe the [MOBOTIX MOVE Installation Hints](#) document to ensure optimum performance of the camera features.

DORI Specifications

In the video surveillance context, “DORI” stands for Detection, Observation, Recognition and Identification and is based on IEC EN62676-4: 2015. These levels define the minimum pixels that a face of a person must have to provide proper identification, for example.

- **Detection:** Up to this distance, you can reliably determine if a person or vehicle is present.
- **Observation:** Up to this distance, you can see characteristic details of an individual, such as distinctive clothing.
- **Recognition:** Up to this distance, you can determine with a high degree of certainty whether an individual is the same as someone that has been seen before.
- **Identification:** Up to this distance, you can determine the identity of an individual beyond reasonable doubt.

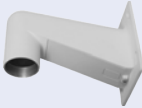



| Focal length | Detection | Observation | Recognition | Identification |
|--------------|-----------|-------------|-------------|----------------|
| 2.7 (Wide) | 19,9 m | 11,5 m | 7,2 m | 3,2 m |
| 13.5 (Tele) | 51 m | 26,1 m | 15,9 m | 6,9 m |

Accessories

| Picture | Order Code | Description |
|---|---------------|--|
|  | Mx-M-VT-WM | Wall Mount for MOBOTIX MOVE Vandal Turret Cameras |
|  | Mx-M-VT-JB | Junction Box for MOBOTIX MOVE Vandal Turret Cameras |
|  | Mx-M-VT-AP | Adapter Mounting-Plate for MOBOTIX MOVE Vandal Turret Cameras (mechanically adapts to Mx-M-SD-xx mounting Accessories) |
|  | Mx-M-SD-C | Corner Mount |
|  | Mx-M-SD-GN | Parapet Mount (Gooseneck) with integrated junction box |
|  | Mx-M-SD-P | Pole Mount |
|  | Mx-M-SD-PM | Pendant Mount Kit 25 cm |
|  | Mx-M-SD-PMEXT | Pendant mount extension 25 cm for use with Pendant Mount Kit Mx-M-SD-PM |

Technical Specifications

MOBOTIX MOVE 2MP Varifocal IR Vandal Turret

| Picture | Order Code | Description |
|--|---------------------|---|
|  | Mx-M-SD-W | Wall Mount; can be combined with Pole Mount Mx-M-SD-P or Corner Mount Mx-M-SD-C |
|  | Mx-M-SD-WM | Wall Mount with room for optional junction box |
|  | Mx-M-SD-WMJB | Wall Mount Junction Box |
|  | Mx-A-ETP1A-2601-SET | Media Converter Set Ethernet (PoE+) – Twisted-Pair |

Dimensions

NOTE! Download the drilling template from the section or on the MOBOTIX website: www.mobotix.com > [Support](#) > [Download Center](#) > [Marketing & Documentation](#) > [Drilling Templates](#).

CAUTION! Always print or copy the drilling template at 100% of the original size!

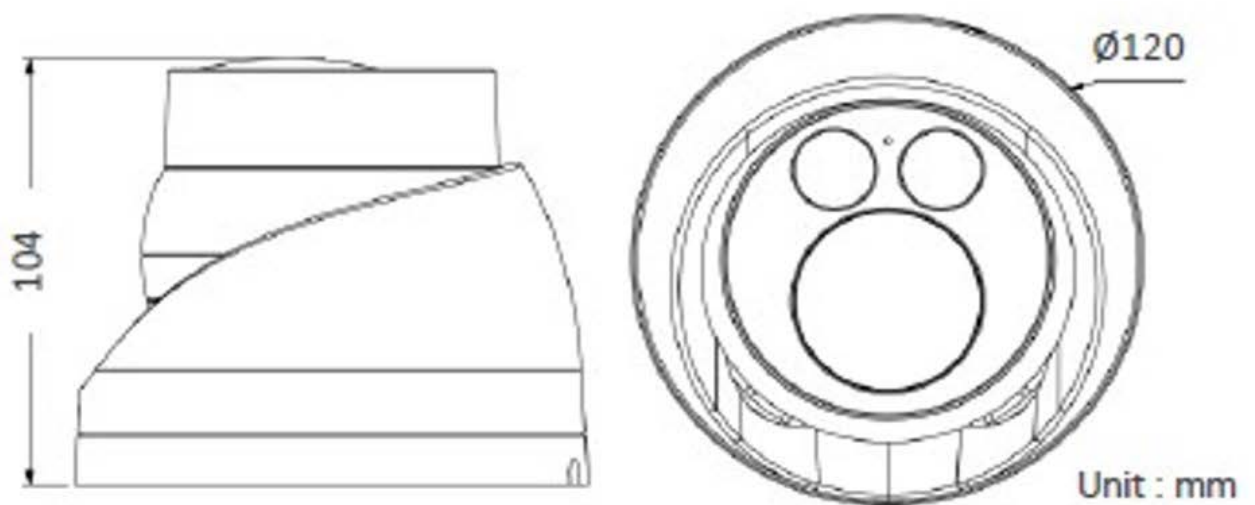


Fig. 1: 2MP Varifocal IR Vandal Turret: All measurements in mm

Further Reading

[Manuals and Quick Installation documents](#)



[Technical Specifications](#)



[MOBOTIX MOVE Installation Hints](#)



[MOBOTIX Community](#)



MOBOTIX

BeyondHumanVision

[EN_01/24](#)

MOBOTIX AG • Kaiserstrasse • D-67722 Langmeil • Tel.: +49 6302 9816-103 • sales@mobotix.com • www.mobotix.com

MOBOTIX is a trademark of MOBOTIX AG registered in the European Union, the U.S.A., and in other countries. Subject to change without notice. MOBOTIX do not assume any liability for technical or editorial errors or omissions contained herein. All rights reserved. © MOBOTIX AG 2020