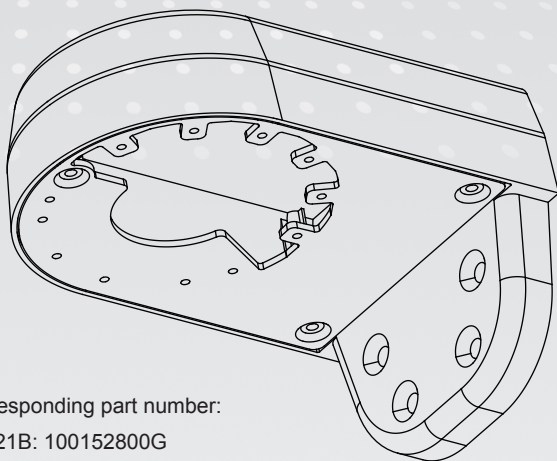


# VIVOTEK Fixed Dome Series Wall-mount Bracket

## Installation Guide

Using AM-21B wall-mount bracket  
and compatible accessories



Corresponding part number:  
AM-21B: 100152800G

QIG part no.: 625039900G

Rev. 1.0

## Revision History:

\* Rev. 1.0: Initial Release

## I Compatible VIVOTEK Cameras

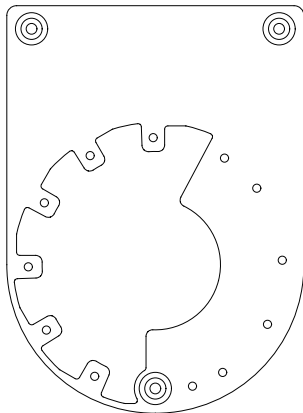
FD8166A, FD8166A-N, FD8166A-R

You may also refer to VIVOTEK's website for the list of supported models. Support for other models can be available through time.

## II Installation

### Mounting Hole Definitions

Below are the locations of mounting holes.





#### NOTE:

1. It is presumed that this wall-mount bracket is installed with a hole drilled on the wall for routing power lines, DI/DO, and Ethernet cables.
2. Route cables before you secure the wall-mount bracket to a wall.
3. For details on the cable connections with each camera, please refer to their Quick Installation Guide.

For cabling and configuration details with each network camera, please refer to their documentation.

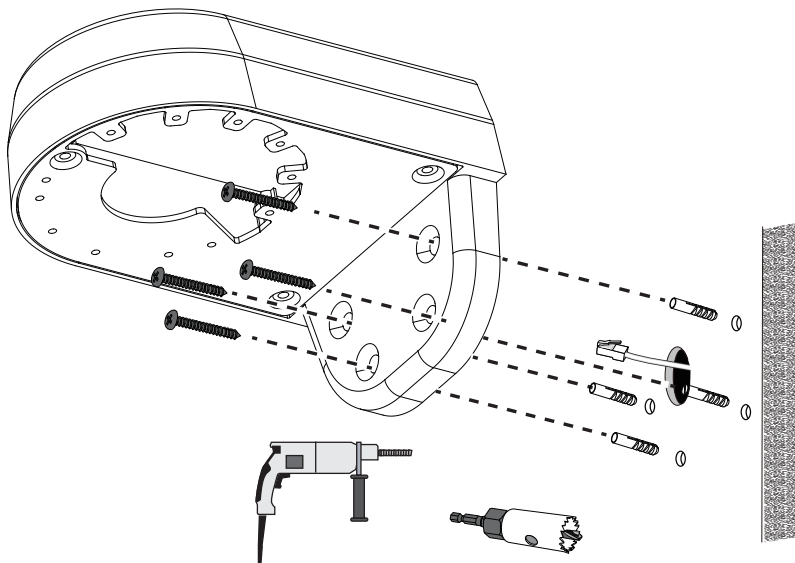
Refer to the table below for the description of the included screws:

Screw Description	Quantity	Applies to	
M4X25XD9 Phillips pan head	4	Securing the bracket to wall	
Plastic anchors	4	Securing the bracket to wall	

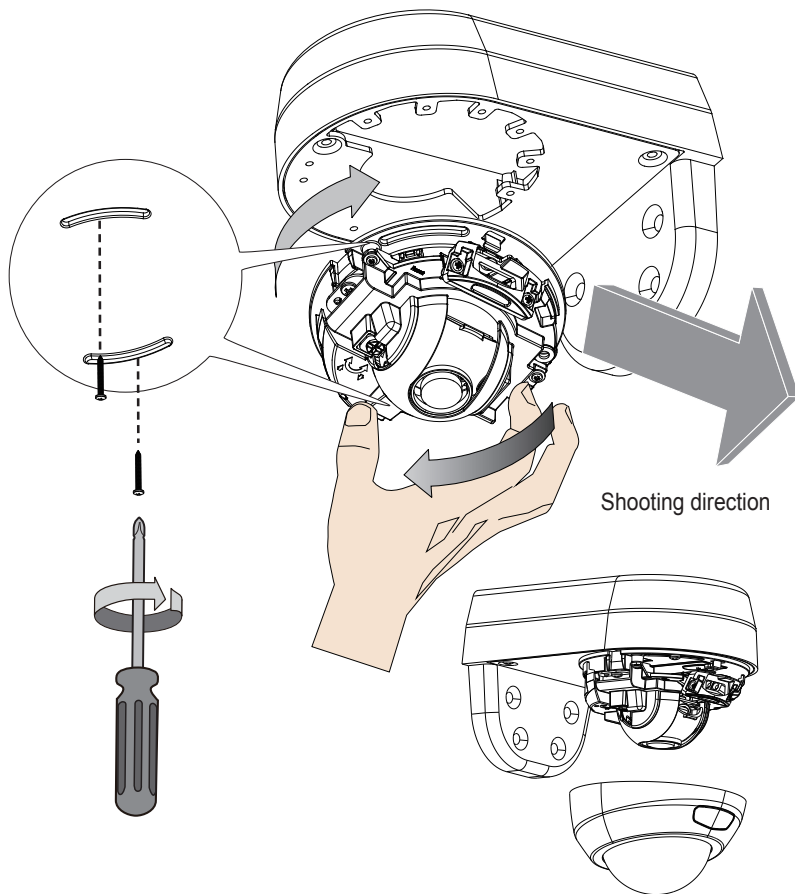
## Wall Mount Installation

Below is a general, sample procedure using a wall mount bracket:

1. Locate the position where you want to install the wall mount bracket and camera. Drill holes on the wall for securing the bracket and for routing the cables.
2. Secure the bracket by hammering anchors into the wall and then fasten screws through the four mounting holes on the bracket.



3. Route power lines and other cables through the wall and the bracket.
4. Turn the camera towards the field of view of your interest. When done, align the camera's screw slots with the mounting holes.
5. Secure the camera to the wall mount bracket as shown below.
6. Install the dome cover.



#### **IMPORTANT!**

The screws and mounting surface must be able to support a weight of 1 kg.