

4 Installation

4.1 Inspecting the equipment

If any equipment has been damaged during shipment, keep the shipping cartons and packing materials for the carrier or place of purchase and file a claim for shipping damage. If you discover damage after acceptance, file a claim for concealed damage.

To file a claim for shipping damage or concealed damage:

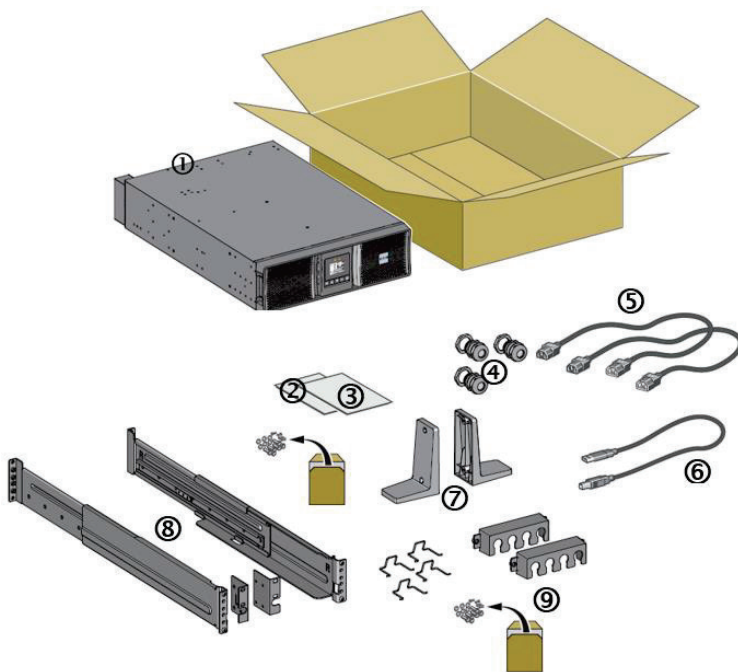
1. File with the carrier within 15 days of receipt of the equipment
2. Send a copy of the damage claim within 15 days to your service representative



Check the battery recharge date on the shipping carton label. If the date has passed and the batteries were never recharged, do not use the UPS. Contact your local service representative.

UPS Package content

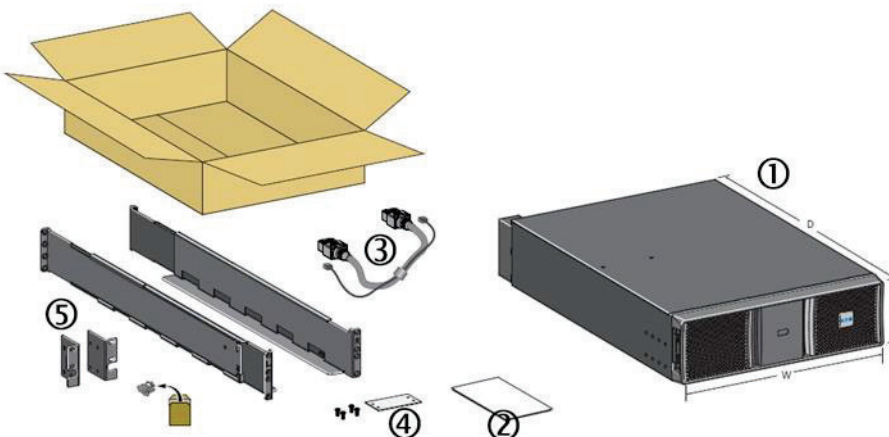
Verify that the following additional items are included with the UPS:



- ① UPS
- ② Quick start
- ③ Instructions and Safety Information
- ④ Cable glands (2 for 5/6K) (3 for 8/11K)
- ⑤ IEC 10A, 1,2m (2)
- ⑥ USB, 1.8m (1)
- ⑦ Stands for tower installation (2)
- ⑧ Rack kit and screws
- ⑨ Cable locking system

EBM Package content

If you ordered an optional Extended Battery Module (EBM), verify that the following additional items are included with the EBM:



- ① EBM
- ② Quick start
- ③ Battery power cable, attached with battery detection cable
- ④ Stabilizer bracket (4 screws included)
- ⑤ Rack kit and screws