

NOTES:

1. INSTALLATION SHALL COMPLY WITH ALL APPLICABLE NATIONAL AND LOCAL CODES.
2. SEE PRODUCT DOCUMENTATION FOR FURTHER INFORMATION.
3. UNLESS OTHERWISE SPECIFIED, ALL DIMENSIONS ARE IN INCHES [MILLIMETERS].
4. WEIGHT OF UNIT IS 29.00 LBS [13.18 kg].
5. SKU HAS ADJUSTABLE RAILS (28-40 inches).
6. MAXIMUM HOLDING WEIGHT 100 LBS [45.5 kg].

THIS DRAWING AND SPECIFICATIONS HEREIN ARE THE PROPERTY OF SCHNEIDER ELECTRIC AND SHALL NOT BE COPIED, REPRODUCED OR USED IN WHOLE OR IN PART, AS THE BASIS FOR THE MANUFACTURE OR SALE OF ITEMS WITHOUT WRITTEN PERMISSION FROM SCHNEIDER ELECTRIC. THIS DRAWING IS BASED UPON LATEST AVAILABLE INFORMATION AND IS SUBJECT TO CHANGE WITHOUT NOTICE.



TITLE:
SLIDING SHELF 100 LBS [45.4 kg]
MAIN MECHANICAL

PROJECT: STD SUBMITTAL DRAWINGS SHEET 1 OF 2

DWG NO: **AR8123BLK**

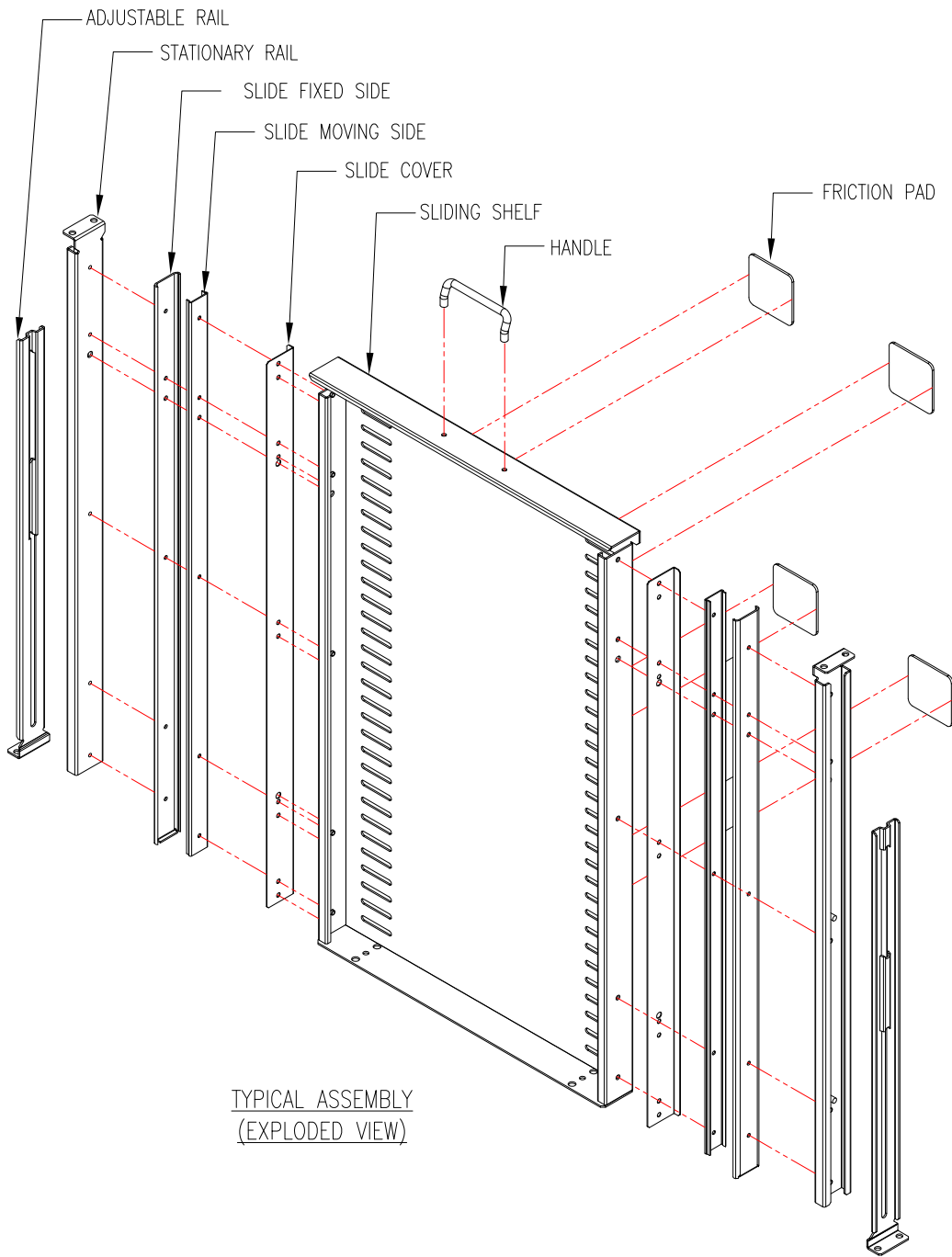
DRAWN BY: K NAGENDRA 23-JAN-08

ENGINEER: M UHRHAN/B OLIVER 23-JAN-08

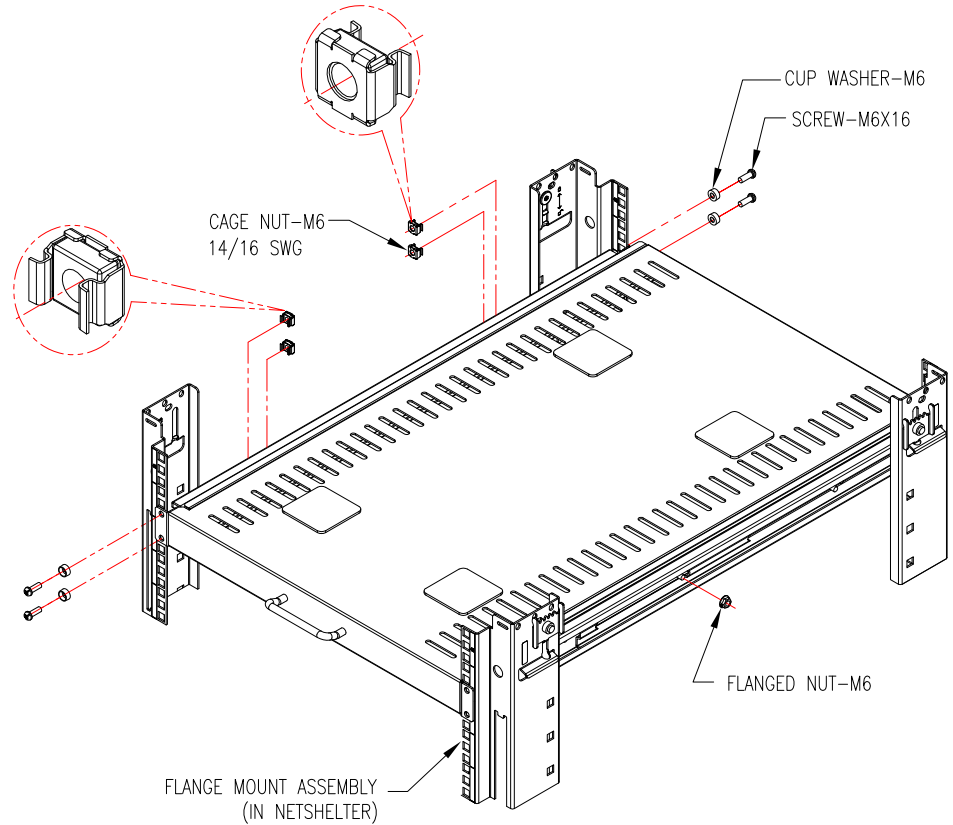
APPROVED BY: SHERIDAN SIVAJI LARSEN S WASH 23-JAN-08

REV 1

PROJ
ANGLE
N/A



TYPICAL INSTALLATION DETAILS
 (ASSEMBLED VIEW)



NOTES:

1. INSTALLATION SHALL COMPLY WITH ALL APPLICABLE NATIONAL AND LOCAL CODES.
2. SEE PRODUCT DOCUMENTATION FOR FURTHER INFORMATION.

THIS DRAWING AND SPECIFICATIONS HEREIN ARE THE PROPERTY OF SCHNEIDER ELECTRIC AND SHALL NOT BE COPIED, REPRODUCED OR USED IN WHOLE OR IN PART, AS THE BASIS FOR THE MANUFACTURE OR SALE OF ITEMS WITHOUT WRITTEN PERMISSION FROM SCHNEIDER ELECTRIC. THIS DRAWING IS BASED UPON LATEST AVAILABLE INFORMATION AND IS SUBJECT TO CHANGE WITHOUT NOTICE.



TITLE:
 SLIDING SHELF 100 LBS [45.4 kg]
 ASSEMBLY

PROJECT: STD SUBMITTAL DRAWINGS SHEET 2 OF 2

DWG NO: **AR8123BLK**

DRAWN BY: K NAGENDRA 23-JAN-08

ENGINEER: M UHRHAN/B OLIVER 23-JAN-08

APPROVED BY: B SHENDANE/SILVIO CARRENS (MGR) 23-JAN-08

REV 1

PROJ
 ANGLE
 N/A