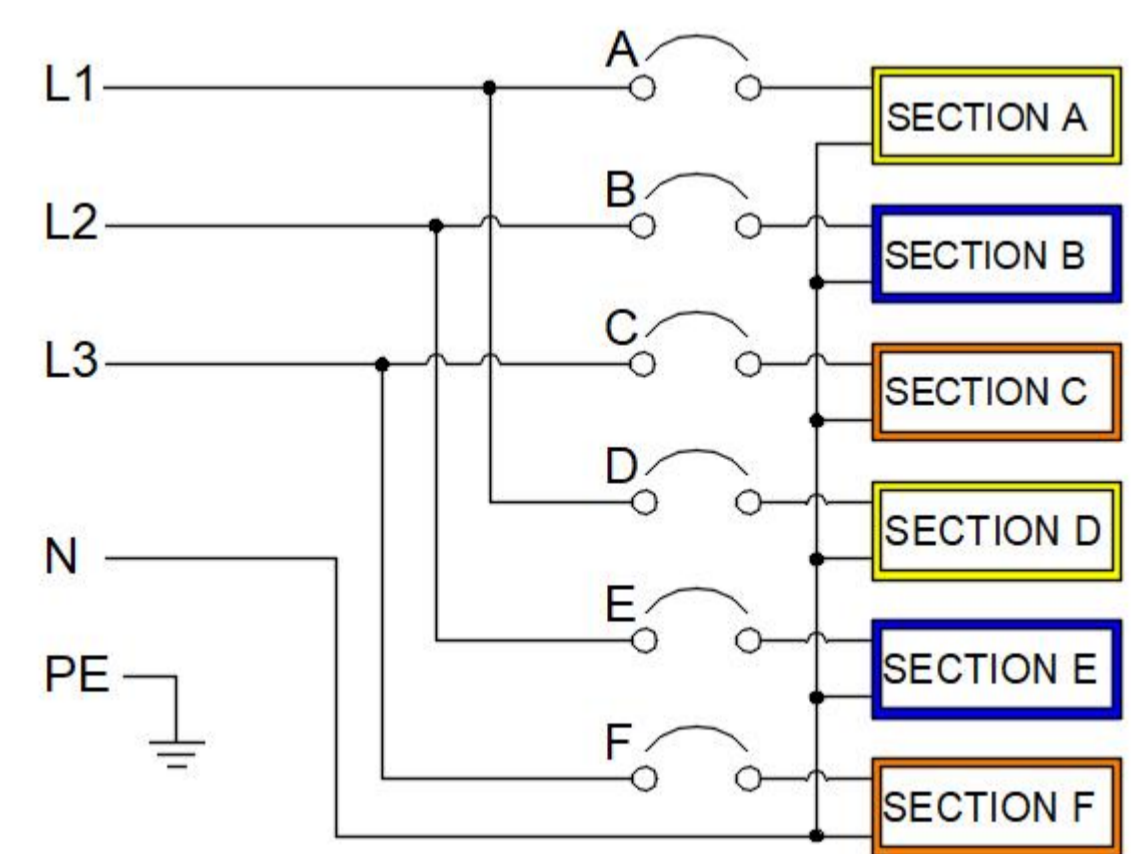
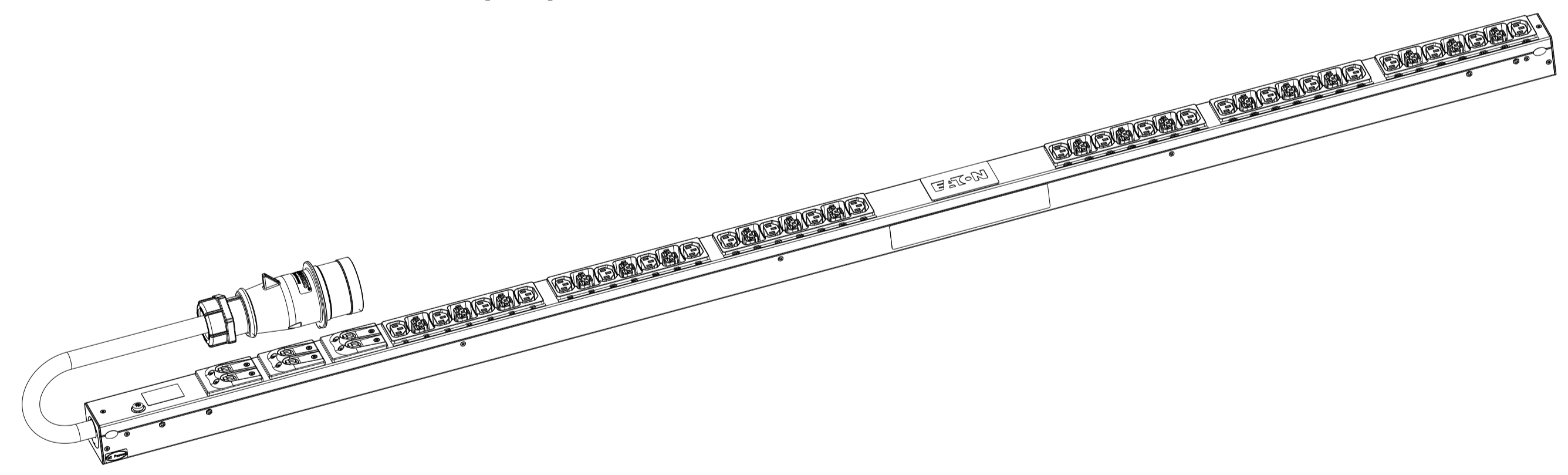
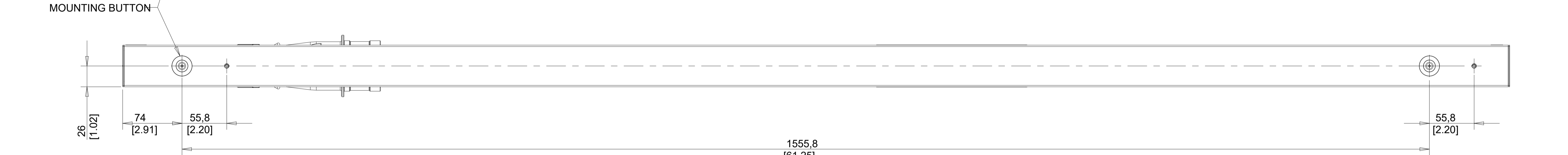
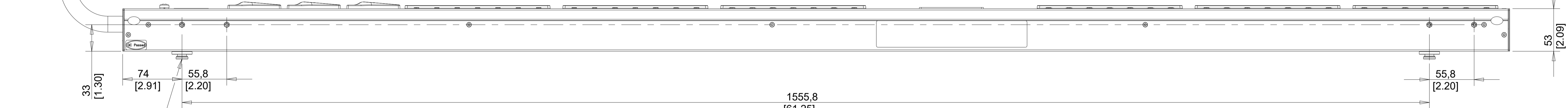
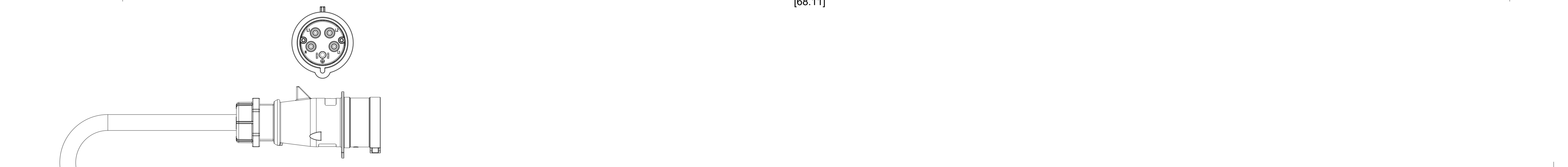
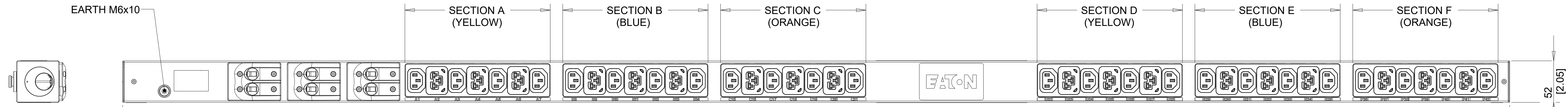


P O N M L K J I H G F E D C B A



EVBAF332X		G4 Rack PDU BASIC	
FUNCTIONALITY	INPUT	OUTPUT	ENVIRONMENTAL
NONE	IEC 60309-2 16A 230/400V 2.5MM ² x 5C POWERCORD (LSZH) CABLE LENGTH: 3.0 M	(24) IEC 60320 C13 HIGH RETENTION / P-LOCK (18) EATON C39 - COMBO C13/C19 HIGH RETENTION / P-LOCK (C19 ONLY)	OPERATING TEMPERATURE 0° TO 60° C 32° TO 140° F
MECHANICAL	INPUT RATING	OUTPUT RATING	CERTIFICATIONS
1730mm (68.11") LENGTH 52mm (2.05") WIDTH 53mm (2.09") DEPTH ALUMINUM CHASSIS, BLACK	200-240 / 346-415V~ WYE,3W+N+PE 32A 50/60Hz	200-240V~ 10A PER C13, 16A PER C39 16A MAX PER SECTION NOT TO EXCEED INPUT RATING	CE, UKCA, RCM, Cmim, Ukr, EAC
CIRCUIT BREAKERS	COMMUNICATION	ACCESSORIES	REGULATORY MODEL
(6)16A 1-POLE	NONE	SPARE PART ACCESSORY KIT SPK050	EBAF-DHFB-G27K

01 GLOBAL UPDATE	26.10.2023	RP	YS
00 FIRST RELEASE	17.10.2023	RP	YS
REV. MODIFICATION	DATE	DESSIN/DRAW	VERIF
EATON		HEINEMANN PRODUCTS	ECHELLE / SCALE 0.4 N° MAG 9001-22352
CH-1345 LE LIEU SWITZERLAND		DESSINE LE / DRAWED THE 17.10.2023	PAR / BY RP
TOLERANCE GENERALE / GENERAL TOLERANCE ± 0.3 ± 0°'20"	TRAITEMENT / FINISH NA	MATIERE / MATERIAL NA	VERIFIE PAR / VERIFIED BY YS
NIVEAU DU CERTIFICAT DE SOUMISSION REQUIS / SAMPLES APPROVAL PROCESS REPORT X		DIMENSIONS AND TOLERANCES IN MILLIMETERS	
DESIGNATION PDU G4 BA 0U 309 32A 3P 24XC13,18XC39		9001-22352_EVBAF332X	01
COTES A CONTROLER / INSPECTION DIMENSIONS XX.X	COTES FONCTIONNELLES / FUNCTIONAL DIMENSIONS XX.X	NUMERO DU PLAN / PLAN NUMBER	DRAWING REV.
Ce document est propriété de Eaton Industries Manufacturing GmbH. Duplication interdite sans autorisation. This document is Eaton Industries Manufacturing GmbH property. Duplication forbidden without authorization.			

P O N M L K J I H G F E D C B A