

Alecto DVM-200 DVM200BK USER'S MANUAL

INTRODUCTION

The Alecto DVM-200/DVM200BK is a wireless audio/video observation system, suitable for private use indoors.

You can either watch and listen continuously or you can have the baby monitor switch on

ATTENTION
Before you start using the set, please remove any protective foil from the parent unit and baby unit.

INSTALLATION

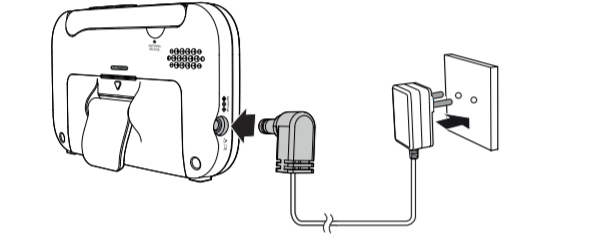
Parent unit:

Slide off the rear casing from the parent unit

Install the rechargeable battery pack according to the picture on the right

Slide the rear casing back onto the parent unit

Finally, connect the power adaptor with the round plug to the parent unit and insert the adaptor into a 230V wall socket.



Now please let the battery pack charge for at least 24 hours CONTINUOUSLY.

DISPLAY ICONS:

During use, the following icons can appear in the display.

- connection indicator:
- good connection between baby unit and parent unit
- reasonable or poor connection
- connection interrupted

illuminates when the SCAN function is enabled (only applicable when using multiple baby units)

illuminates when the infrared LEDs of the camera are switched on (these turn on automatically when it's getting dark near the camera)

illuminates when the zoom mode is enabled

illuminates when the alert tone of the temperature alarm is enabled

illuminates when the volume level is set to 0 (sound off)

visual sound indication:
 : little or no sound in the baby room
 : soft to moderate sound in the baby room
 : loud sound in the baby room

indication of the set speaker volume

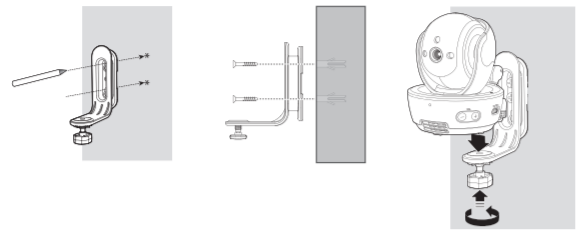
battery indication:
 : battery is full
 : battery is nearly empty
 : battery is charging

illuminates when there's no battery installed; the parent unit is now fully powered by the adaptor

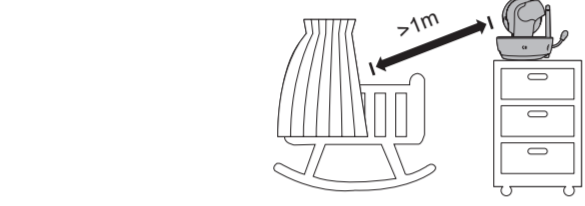
Baby unit:

Connect the power adaptor with the round plug to the bottom of the baby unit according to the below picture

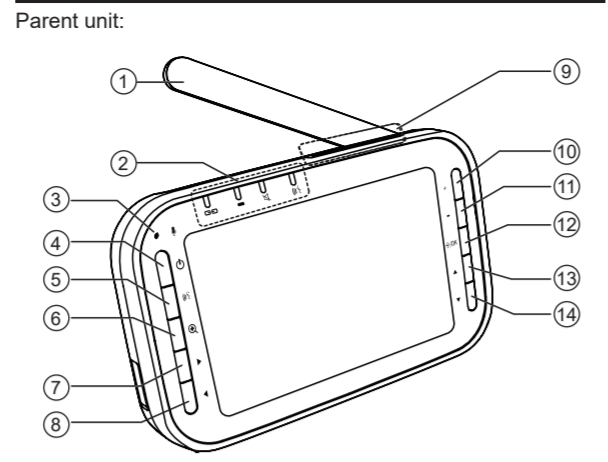
a mounting bracket is included for fixing the baby unit onto a wall



maintain a distance of at least 1 meter between the baby unit and the baby

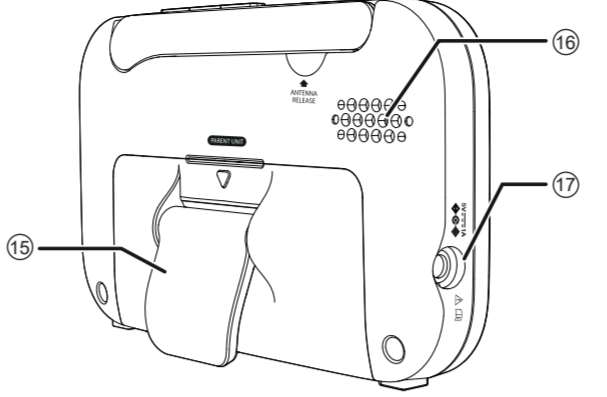


FUNCTION OVERVIEW



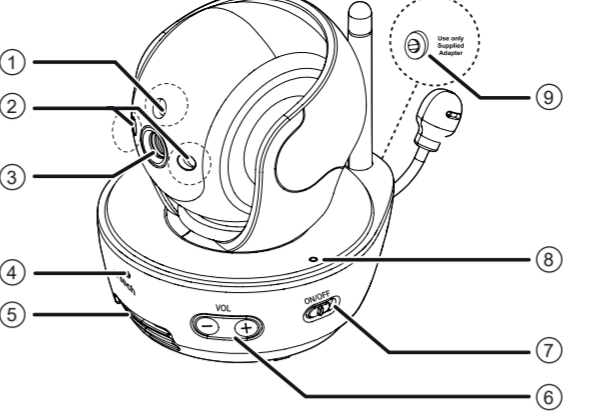
- antenna: flip it upward for optimum range
- indicator: remains lit while the parent unit is connected with the baby unit flashes when the connection with the baby unit is interrupted
- indicator: remains lit while the adaptor is connected and the battery pack is being charged or maintained flashes when the battery pack is nearly empty and must be charged switched off when the adaptor is disconnected and the battery pack's remaining capacity is still sufficient illuminates when the speaker volume is set to 0 (no sound)
- indicator: illuminates when the talk-back function is activated
- built-in microphone
- button: press and hold for 2 seconds to switch the parent unit on or off
- button: press and hold to talk back to the baby press to zoom in (to get the display somewhat closer); now use the and buttons to move the image to the left, to the right, down or up various functions, please see this user manual
- button: various functions, please see this user manual
- button: press and hold to turn off the display, briefly press to view the image of the next camera (functional only when multiple cameras are registered) briefly press to play the next lullaby button: to start or stop playback of the lullabies

- + button: to increase the volume
- button: to decrease the volume
- OK button: to open the menu and to confirm selections various functions, please see this user manual
- button: various functions, please see this user manual

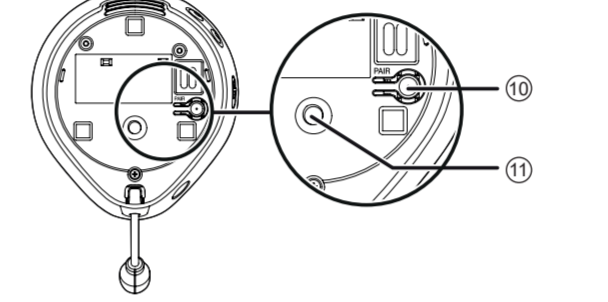


- support
- built-in speaker
- power adaptor input

Baby unit:



- Light sensor
- Infrared LEDs (for night lighting)
- Camera lens
- built-in microphone
- built-in speaker
- +/-: to set the volume for the lullabies and for the talk-back function
- : power switch for the baby unit
- remains lit when the connection with the parent unit is active flashes when there's no active connection with the parent unit
- power adaptor input



- push-button to register (re-register) the camera on the parent unit
- screw thread (1/4") for the wall bracket

OPERATION

TO SWITCH ON/OFF:

Parent unit:
 • Briefly press and hold the button to switch on the parent unit.
 • Briefly press and hold the button again to switch off the parent unit.

Baby unit:
 • Slide the switch at the right side forward to switch on the baby unit.
 • Slide this switch backwards to switch off the baby unit.

VOLUME:

Parent unit
 • Repeatedly press the + button to increase the reception volume and repeatedly press the - button to decrease the reception volume.
 • You can choose from 7 volume levels and volume-off.
 • During setup, the display will show the current level.
 • The light at the symbol will illuminate when you set the volume to 0 while the appears in the display.
 • Upon reaching the minimum or maximum level, a double beep tone will indicate that the sound cannot be any louder or softer.

Baby unit

• On the baby unit, use the + and - buttons to increase or decrease the playback volume of the lullabies or the volume of the talk-back volume.
 • You can choose from 5 volume levels and volume-off.
 • Upon reaching the minimum or maximum level, a double beep tone will indicate that the sound cannot be any louder or softer.

TO TALK BACK:

• Press the button to talk back to the baby unit (press and hold this button while talking). The indicator remains lit while using the talk-back function.
 • You can use the + and - buttons at the baby unit's side to adjust the volume.
 • Attention: when the volume on the parent unit is set to 0 (off) and you press the button, the volume of the parent unit will be automatically returned to level 1 allowing you to hear the reaction of the baby.

ZOOM: (GETTING THE IMAGE CLOSER)

• Briefly press the button to zoom in.
 • Briefly press the button again to zoom out.

PAN/TILT:

• Use the and buttons to move the image to the left, to the right, down or up.

DISPLAY ON/OFF:

• Briefly press and hold the button to switch off the display (the sound will remain).
 • Briefly press a random button on the parent unit to switch the display back on.
This function works separate from the function for having the display and sound turn off automatically when the baby is sleeping. For this, please see the item 'Sound-activated Screen' further in this user manual.

LULLABIES:

• Briefly press the button on the parent unit to start playback of the lullabies.
 • During playback, press the button to select the next lullaby; you can choose from 5 lullabies and 4 nature sounds; the selected song will be played repeatedly.
 • After 10 minutes, playback of the lullabies will stop automatically, or you can briefly press the button to stop playback beforehand.
 • You can use the + and - buttons at the side of the baby unit to adjust the volume.
 • See the item 'Lullaby' in the chapter 'To personalise' to play all songs and sounds automatically one after the other.

AUTOMATIC NIGHT VISION:

• The baby unit is provided with built-in 2 infra-red LEDs; these LEDs will switch on automatically when the baby room turns dark and will switch off again when it becomes light. The LEDs can illuminate objects up to a distance of approximately 2 meters. When it's dark, that is when the night vision LEDs are switched on, the images on the parent unit will be displayed in black and white.
Attention: infra-red light cannot be perceived by the human eye; that means you cannot tell whether the infra-red LEDs are switched on with the naked eye.

TEMPERATURE IN THE BABY ROOM:

The upper middle part of the display shows the temperature of the space in which the baby unit is placed. Refer to the next chapter to assign a minimum or maximum limit to this temperature display with an alarm. Please keep in mind that the temperature is only indicative and you must consider a possible deviation of +/- 2 degrees.

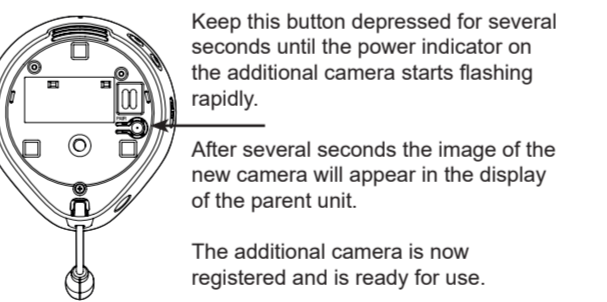
MULTI-CAMERA

INTRODUCTION:
 You can register up to a maximum of 4 baby units (cameras) on the DVM-200/DVM200BK parent unit. Separate cameras are available via the service department of Alecto via internet www.alectobaby.com
 Fixed camera: DVM-143C
 Pan/tilt camera: DVM-201

REGISTERING ADDITIONAL CAMERAS:

First remove the new camera from its packaging, then connect the supplied power adaptor, insert it into a wall socket and turn on the camera.

Now take the parent unit to pair the new camera
 open the setup menu
 select the option 'Pair/Unpair CAM'
 open this item
 select 'Pair CAM'
 confirm your choice
 select an available camera number
 confirm the instruction



OPERATION:

Upon switching on the parent unit, the image of only one camera will be shown. Repeatedly press the button on top of the parent unit for the following:

- the images of the next paired camera will be displayed while in the upper left corner the camera number is indicated)
- the images of all paired cameras are displayed simultaneously ('split-view')
- the images are automatically displayed one after the other ('scan mode')

When using 'split-view':

- The sound is disabled, there's no sound in split-view.
 - As soon as one of the cameras is detecting sound, you'll be notified of this in the upper part of the screen. You can also include an alert tone, for this please see the item 'Alert tone' in the chapter 'To personalise'.

TO PERSONALISE:

You can set or program various functions and settings of the DVM-200/DVM200BK according to your own preferences:

- open the setup menu
- search for the desired item
- open the selected item
- use the or button to adjust or select a setting
- confirm your choice
- return to the camera image display

The following settings are available:

Language
 to set the display language

LCD
 to set the display brightness (level 1 – level 5) or to switch the DIM mode on/off (to dim the display automatically when no camera buttons are pressed for 10 minutes, to save energy)

Lullaby
 use this option to select one of the lullabies or sounds or select 'Play all' to play all different lullabies and sounds one after the other

Pair/Unpair CAM
 select this option to add or remove additional cameras, please refer to the below chapter 'Multi-camera'

Rename
 use this option to assign a personal name to the camera; you can choose the standard name 'CAM' or choose one of the 6 pre-programmed names

Sensitivity
 Here you can set how loud the baby must be crying before the sound and image (see the next item) will be activated through the parent unit:
 Level 1: low sensitivity, the baby must cry loudly before the baby monitor switches on
 Level 2: moderate sensitivity
 Level 3: average sensitivity
 Level 4: high sensitivity, the baby monitor will switch on as soon as the baby starts to cry softly
 Level 5: VOX switched off, the baby monitor will continuously transmit the images and sounds from the baby

Sound-activated Screen
 When this function is set to 'On' and the baby is sleeping, not just the sound but also the display will turn off. As soon as the baby starts crying, the display and sound will be turned on again. Use the 'Sensitivity' option (see the previous item) to set the activation level).
 When this function is set to 'Off', the screen will remain active continuously.

Temperature
 This option concerns the temperature display in the screen of the parent unit and the optional alert tone. At [Minimum] and [Maximum], you can enter the upper and lower limit for showing a warning in the display when these limits are exceeded.

You can use the [Alert] option to determine whether an alert tone must sound in addition to this warning. At [Format], you can determine whether the temperature must be displayed in degrees Celsius or degrees Fahrenheit.

Alert Tone
 Here you can set whether an alert tone must sound when the battery starts to run empty [Low Battery Tone], when the parent unit has lost the connection with the baby unit [No Link Alert] or when one of the baby units detects sound in SPLIT mode [Sound alert in split-view]