



Datenblatt - Fiche technique - Data sheet

12.99.3225



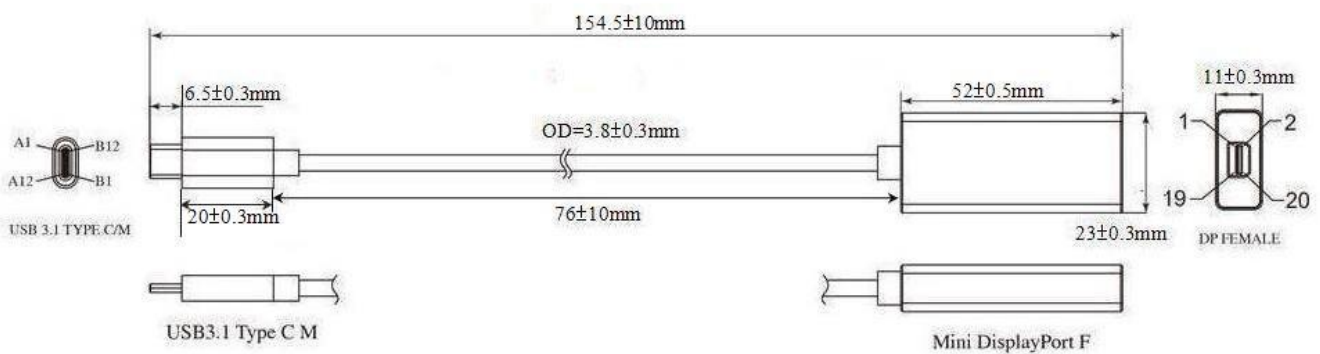
VALUE Display Adapter, USB 3.1 Typ C - Mini DisplayPort, v1.2

VALUE Adaptateur Type C Mini DisplayPort, v1.2, M/F

VALUE Type C - Mini DisplayPort Adapter, v1.2, M/F

Item no.: 12.99.3225

VALUE Cable Adapter, USB 3.1 C M to Mini DP F, white



Features:

- ✓ Input connector: 1x USB Type C Male
- ✓ Output connector: 1x Mini DisplayPort Female
- ✓ Supports resolution up to 3840 x 2160 (max.)
- ✓ Operating Frequency: 50/60Hz, 162 MHz
- ✓ Bandwidth: 225Mhz/10Gbps/channel
- ✓ No external power adapter required
- ✓ Plastic housing in silver color
- ✓ Operating Temperature: 0°C ~ +55°C
- ✓ Operating Humidity: 10% to 85% RH(no condensation)
- ✓ Storage Temperature: 0°C ~ +70°C
- ✓ Storage Humidity: 5% to 90% RH(no condensation)