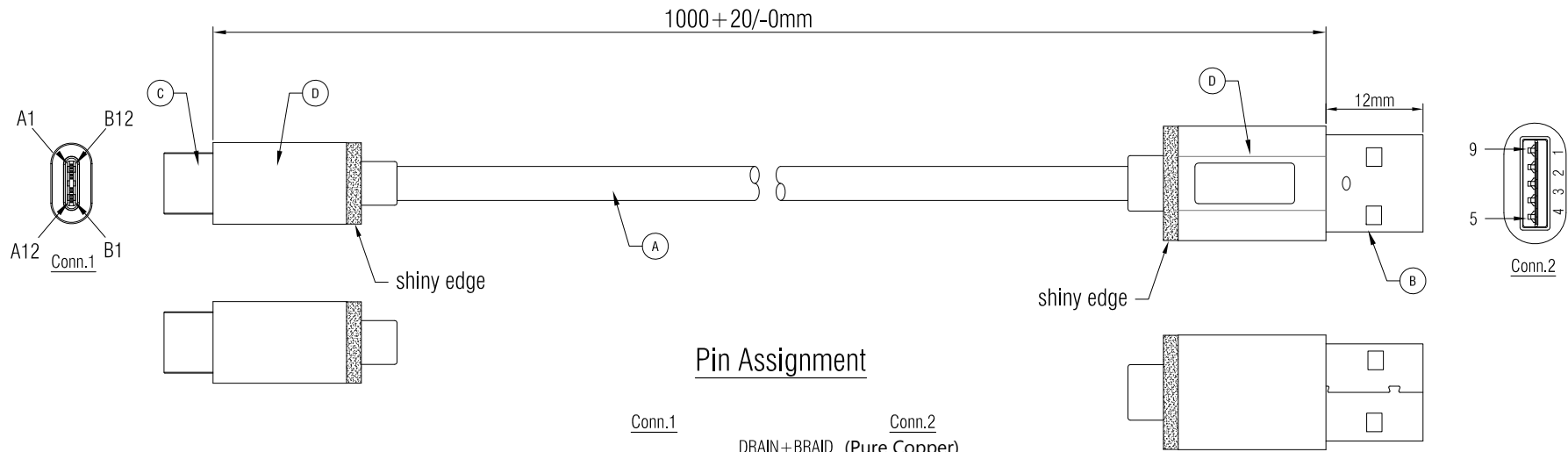
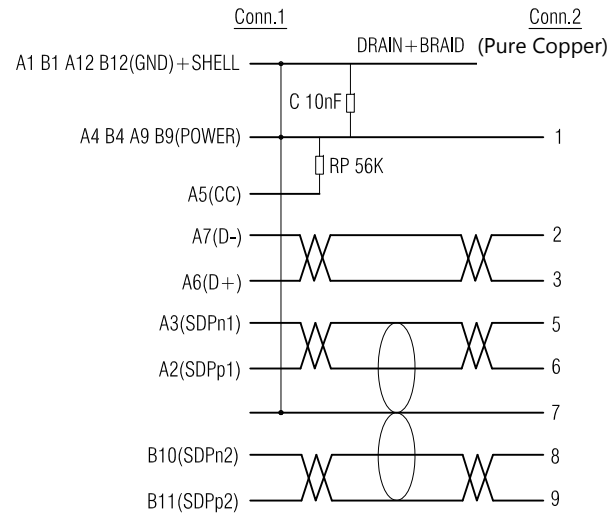


RoHS Compliant



Pin Assignment



Electrical Test:  
 Support up to USB 3.2 Gen1 5GB speed  
 1.100% TEST OPEN SHORT MIS-WIRE.  
 2.CONTACT RESISTANCE:3Ω MAX.  
 3.INSULATION RESISTANCE:5MΩ MIN.  
 4.HI-POT:300V DC/10MS.

D	45P PVC WHITE		G	VALUE USB 3.2 Cable, A-C, M/M, 1 m	
C	TYPE C M Solder (Black Insulation,Nickel plated)Stamping metal shell +R(56K)	1	PCS	Item	11.99.9011
B	USB AM(Blue Insulation,Nickel plated)	1	PCS	Draw	<i>Kobe</i> Date: 2018.10.22
A	UL2725 (30#*1P+DAM)*2+30#*1P+24#*1C+AB,(Pure Copper Braided), OD:4.5mm WHITE PVC JACKET (CABLE PRINTING:Exxxxxx ㊄ 2725 AWM STYLE 80°C 30V VW-1 SUPER HIGH SPEED USB Revision 3.2)	1	PCS	Approval	
NUMBER	PRODUCT SPECIFICATIONS	Quantity	Unit	Duty	F16 BOM.NO: 13621
1	2	4		Sample NO.	Drawings of 1 (2) Proportion: 1:1 Unit(mm)  A4

**SECOMP**