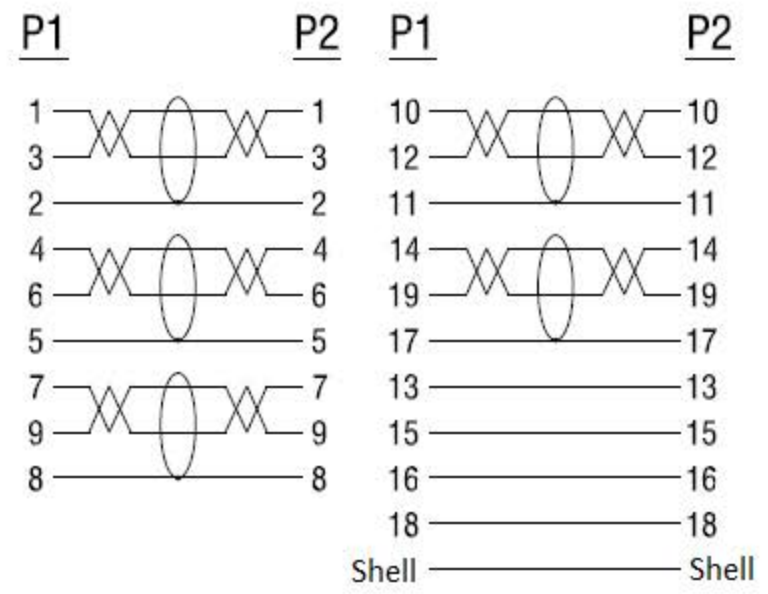
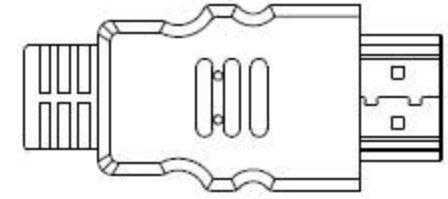
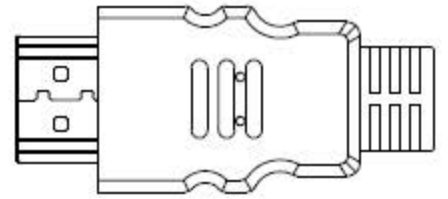


WIRE ADDRESS



Electrical Test:

- 100% Test Open, Short, Mis-wire
- Contact Resistance: 5Ω Max.
- Insulation Resistance: 5MΩ Min.
- Hi-Pot: 300V DC/10Ms.
- Real Test Passed 4K @120Hz or 8K @60Hz or 10K @30Hz
- Real Test Not Twinking, Double Vision and Decolor

Cable Printing: High speed HDMI™ Cable with Ethernet

VER.A	REVISE	
ROLINE HDMI UHD Cable, 10K, Dynamic HDR M/M, 2m, black		
Item	11.04.5942	
Draw	<i>Kobe</i>	Date: 2018.10.18
Approval		
Duty	F16	BOM.NO:
Sample NO.	Drawings of 1 (1) Proportion: 1:1 Unit:(mm)	

C	45P Black PVC		G
B	HDMI 19P Mlae (Black Insulator, Gold Plated)	2	pcs
A	UL20276 (30WAG*1P+DAM)*5 +30AWG*4C+ADB, OD:6.0mm Black PVC Jacket	1	pcs
Number	Z-11.04.5942	Specifications	Q'ty Unit

