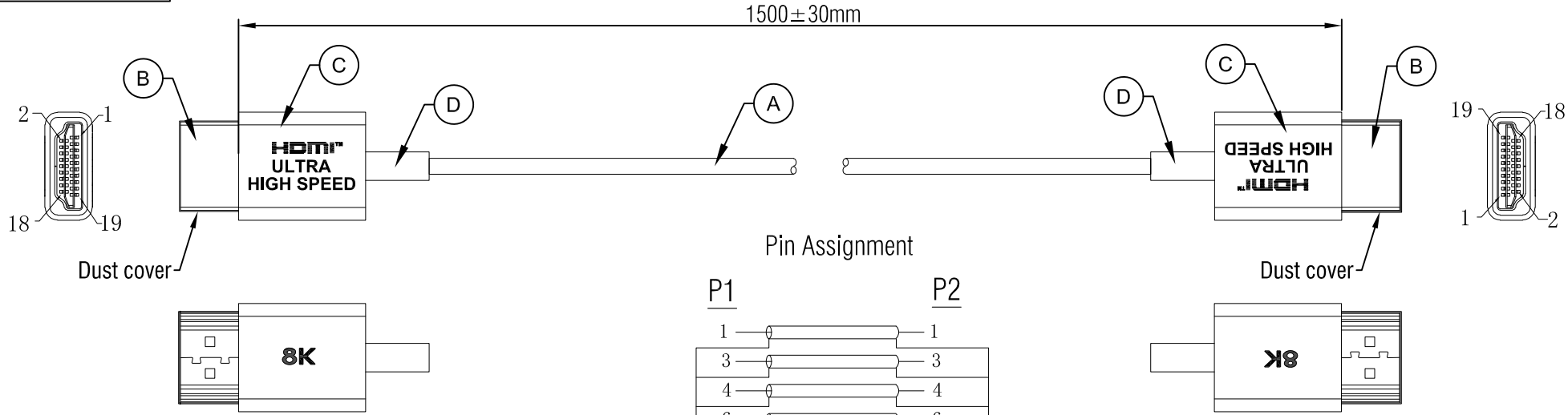


RoHS Compliant



Pin Assignment

P1	P2
1	1
3	3
4	4
6	6
7	7
9	9
10	10
12	12
13	13
14	14
15	15
16	16
18	18
19	19
2, 5, 8, 11	2, 5, 8, 11
17, Shell	17, Shell

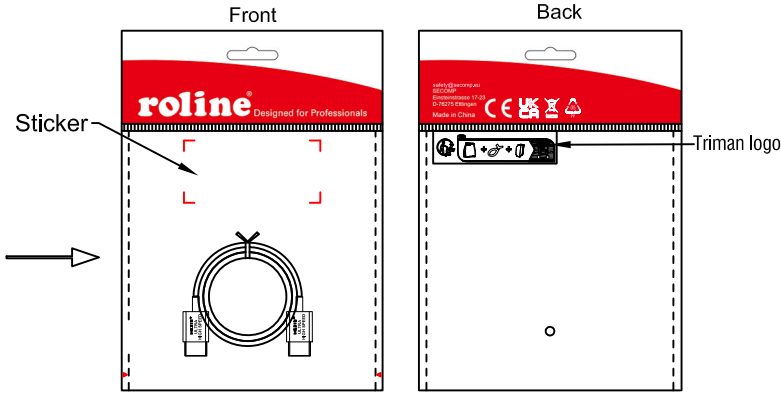
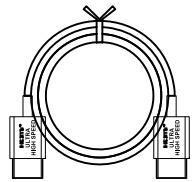
Electrical Test:

- 1.100% TEST OPEN SHORT MIS-WIRE.
- 2.CONTACT RESISTANCE:3Ω MAX.
- 3.INSULATION RESISTANCE:5MΩ MIN.
- 4.HI-POT:300V DC/10MS.
- 5.Real Test Passed 3840*2160P 144Hz or 7680*4320P 60Hz.
- 6.Real Test Not Twinkling,Double Vision and Decolor.

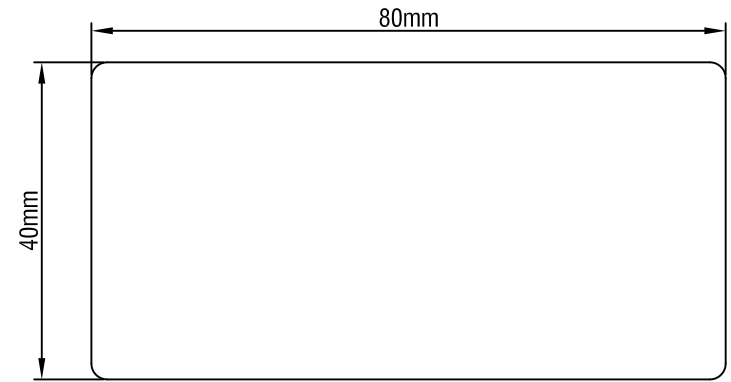
D	45P PVC BLACK		G	ROLINE HDMI 2.1 COAXIAL ULTRA SLIM CABLE, 8K60HZ,1.5M	
C	HDMI GRAY Aluminum shell			Item	11.04.5937
B	HDMI 19P MALE(Black Insulator, Nickel Plated)	2	PCS	Draw	<i>Kobe</i> Date: 2024.09.06
A	(38#*1C+S)*8C+36*6C+S,OD=2.5mm, BLACK TPE JACKET.	1	PCS	Approval	
NUMBER	PRODUCT SPECIFICATIONS	Quantity	Unit	Duty	F16 BOM.NO:xxxxx
				Sample NO.	RLA240605-1
				Drawings of 1 (2)	Proportion: 1:1 Unit(mm)



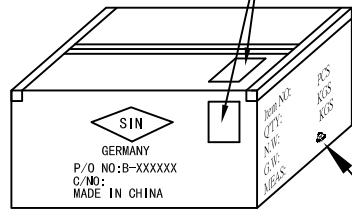
RoHS Compliant



1PCS/RLA BAG-S(0.15*110*205mm) + Sticker

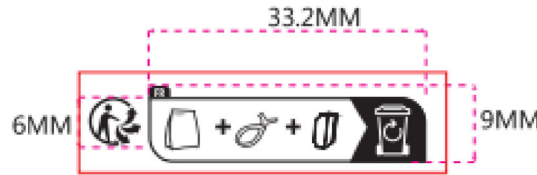
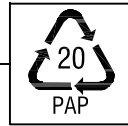


Sticker



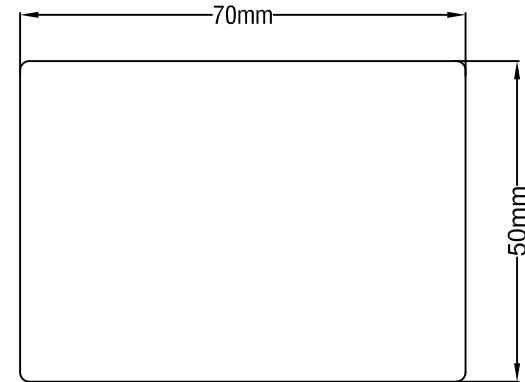
Box
(150*136*95mm)
5PCS/CTN

Carton Sticker(2cm distance from edge of carton)

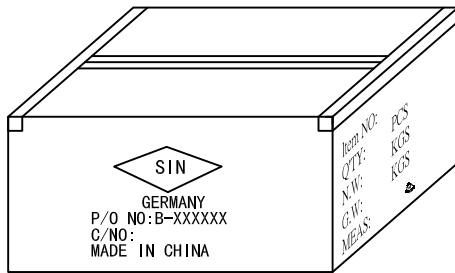


D
44*12MM

Triman logo



Carton Sticker



Carton Size:
(440*330*220mm)
60PCS/CTN

ROLINE HDMI 2.1 COAXIAL ULTRA SLIM CABLE,
8K60HZ,1.5M

Item	11.04.5937	
Draw	<i>Kobe</i>	Date: 2024.09.06
Approval		
Duty	F16	BOM.NO:xxxxx

SECOMP