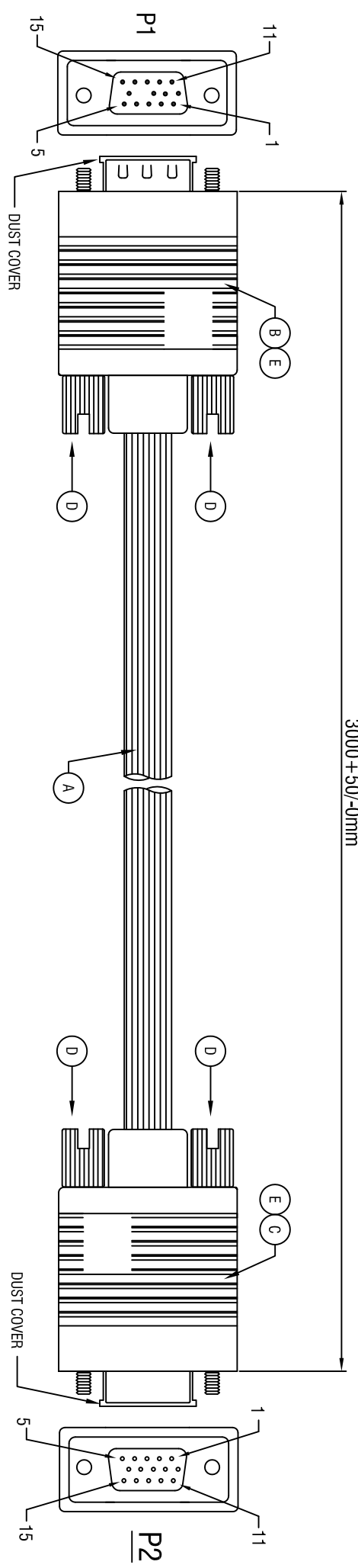
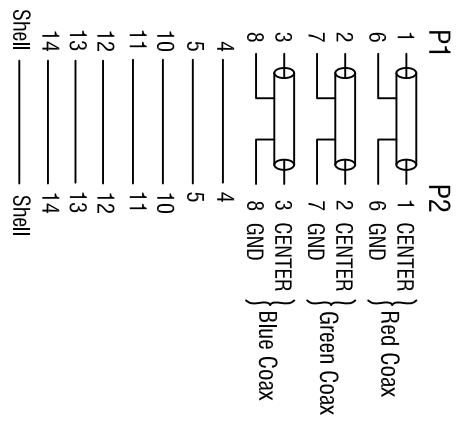


3000 +50/-0mm



WIRE ADDRESS



- Electrical Test:
- 1.100% TEST OPEN SHORT MIS-WIRE.
 - 2.CONTACT RESISTANCE:3Ω MAX.
 - 3.INSULATION RESISTANCE:5MΩ MIN.
 - 4.HI-POT:300V DC/10MS.
 - 5.Real Test Passed 1280*1024.
 - 6.Real Test Not Twinkling, Double Vision and Decolor.

E	45P BLACK PVC	G	ROLINE HQ VGA Cable, HD15 M - HD15 F, 3.0m	
D	HD37.7 Screw	4	Item	11.04.5303
C	HDB15P FEMALE (PIN9 OUT,Black Insulator Nickel Plated)	1	Draw	<i>Make</i> Date: 2020.05.13
B	HDB15P MALE (PIN9 OUT,Black Insulator Nickel Plated)	1	Approval	
A	UL2919,28# 300AX+28#*7C+ADB. OD=8.0mm BLACK DENTATE PVC JACKET.	1	Duty	F16 BOM.NO.:13915
NUMBER		PRODUCT SPECIFICATIONS	Quantity	Unit
1		2		4
1		2		4

