



Datenblatt - Fiche technique - Data sheet

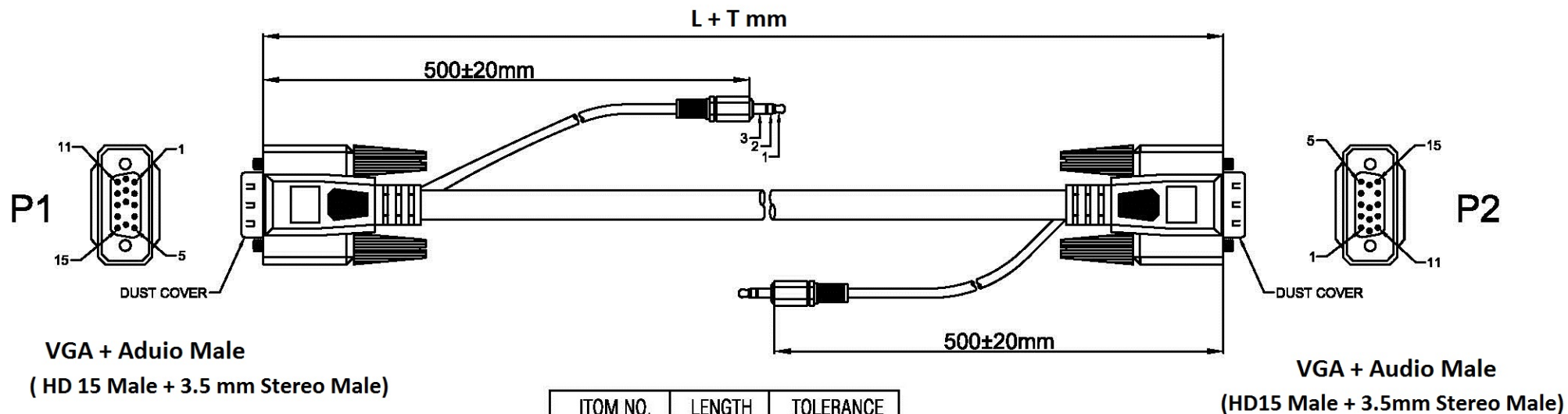
11.04.5162



ROLINE Kombikabel, VGA + Audio, ST-ST, 15 m

ROLINE Câble combiné, VGA + Audio, M-M, 15 m

ROLINE Combi Cable, VGA + Audio, M-M, 15 m



ITOM NO.	LENGTH	TOLERANCE
11.04.5162	15000	+100/-0mm
11.04.5164	20000	+100/-0mm

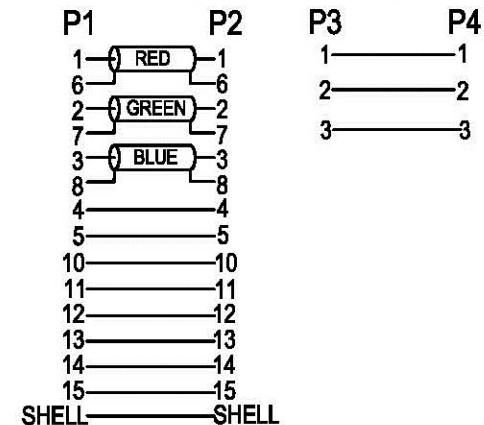
NOTES:

- CABLE: A: UL2919 28AWG*3COAX+24*11C+AEB OD:8.5 DARK GRAY COLOR PVC JACKET
B: 28AWG*2C+S OD:2.8 GRAY COLOR PVC JACKET
- CONN: HDB15M (BLACK INSULATION NICKEL PLATED OUT 9PIN)
- CONN: 3.5 MM STEREO MALE (BLACK INSULATION NICKEL PLATED)
- SCREW: #4-40UNC 2.3*50MM DARK GRAY
- OUTER MOLD: 45P PVC DARK GRAY

ELECTRICAL TEST:

- 100% TEST OPEN SHORT MIS-WIRE
- INSULATION RESISTANCE:5M OHM MIN

WIRE ADDRESS



ITEM NO.	11.04.5162, 11.04.5164	Draw	F16	Date	2014.08.26
DESC.	ROLINE Combi Cable, VGA + Audio, M/M, black	Check		Date	
	Unit (MM)	Approval		Date	

rotronic

D		
C		
B		
VER. A	REVISE	Date