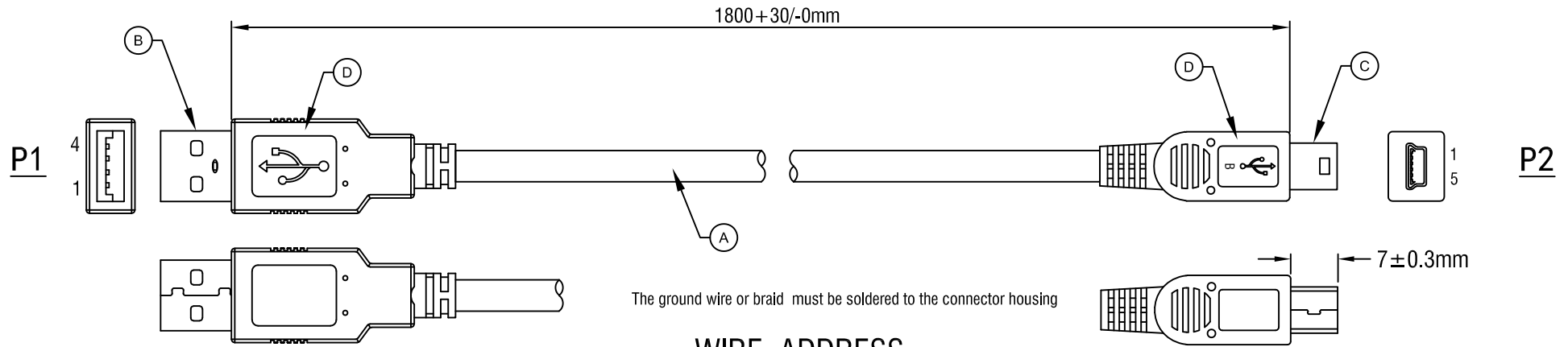
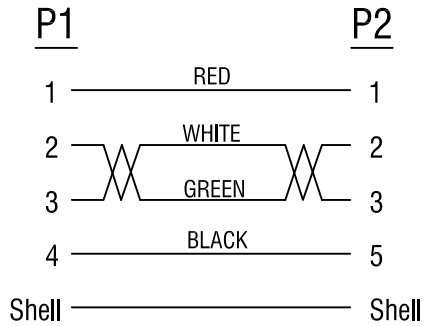


RoHS Compliant



WIRE ADDRESS



Electrical Test:
 1.100% TEST OPEN SHORT MIS-WIRE.
 2.CONTACT RESISTANCE:3Ω MAX.
 3.INSULATION RESISTANCE:5MΩ MIN.
 4.HI-POT:300V DC/10MS.

D	45P PVC BLACK		G	ROLINE MINI USB2.0 CABLE, 1.8M, BLACK	
C	USB 2.0 Mini B5P MALE(Black Insulator, Nickel Plated,Pin Gold Plated 30U")	1	PCS	Item	11.02.8719
B	USB 2.0 A MALE(White Insulator, Pin Gold Plated 30U")	1	PCS	Draw	Andi Date: 2015.08.17
A	UL2725 28AWG*1P+24AWG*2C+ADB OD:5.0mm BLACK COLOR PVC JACKET	1	PCS	Approval	
NUMBER	PRODUCT SPECIFICATIONS	Quantity	Unit	Duty	F16 BOM.NO: 10181
				Sample NO.	Drawings of 1 (2) Proportion: 1:1 Unit(mm)

