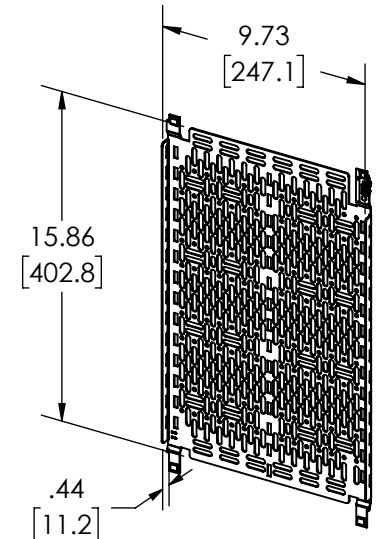
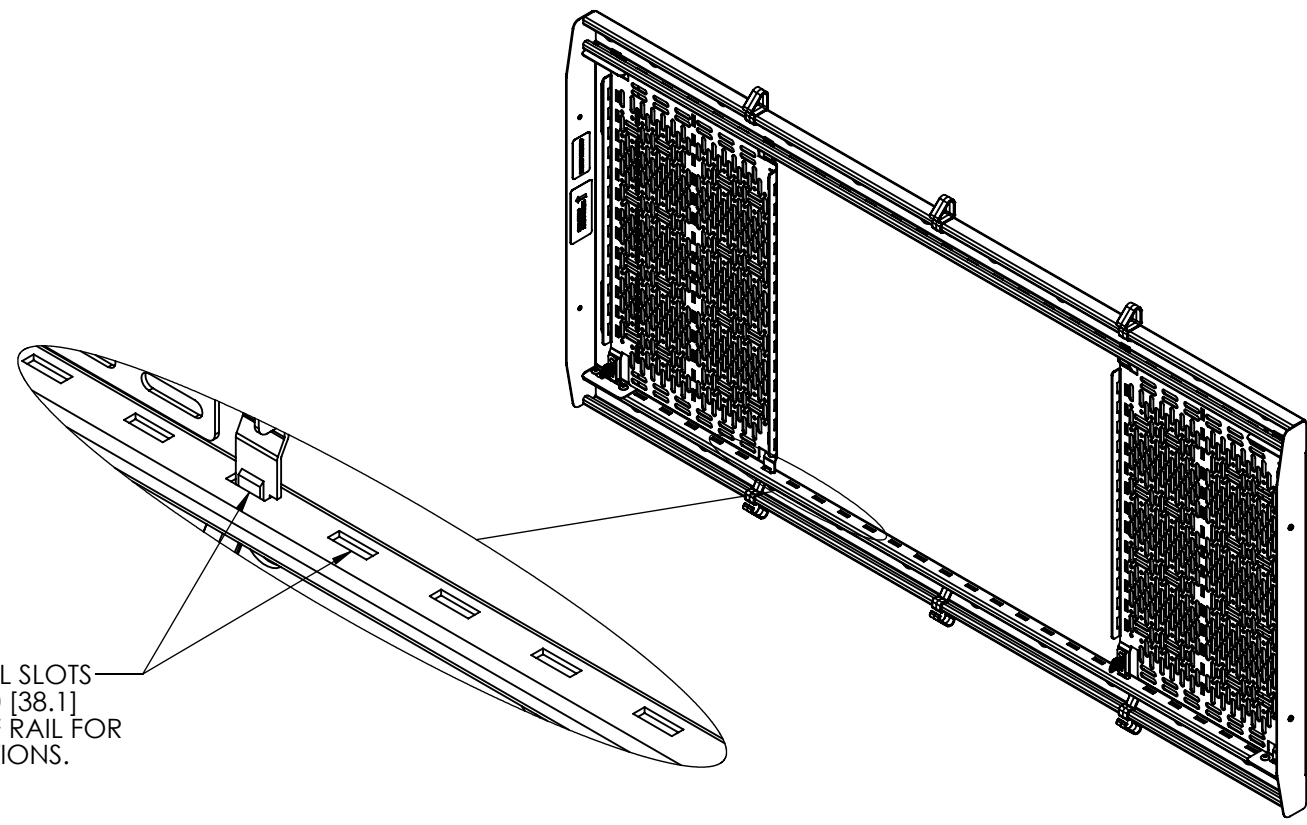
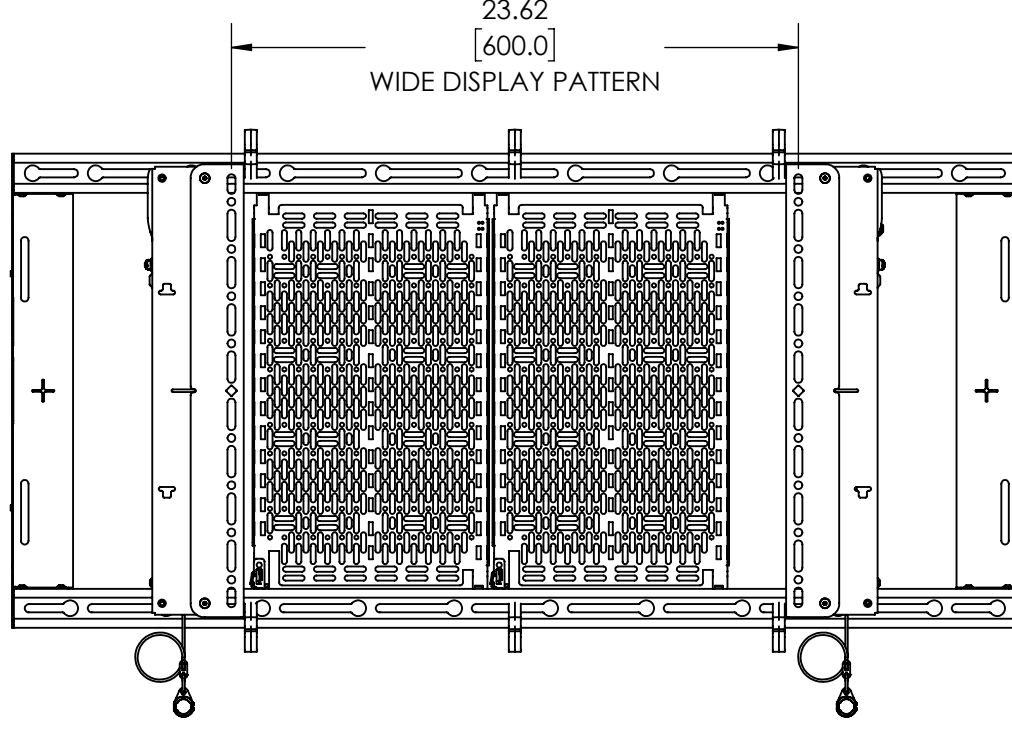
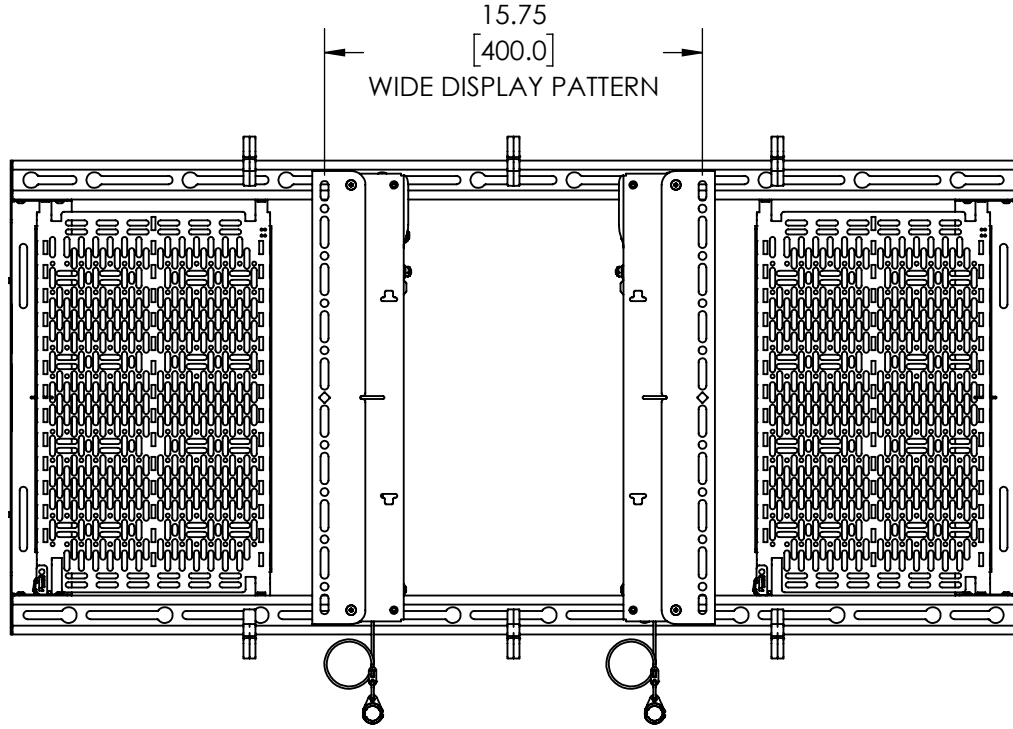


THE INFORMATION AND DESIGNS CONTAINED IN THIS DRAWING ARE CONFIDENTIAL AND THE PROPRIETARY PROPERTY OF LEGRAND | AV. NEITHER THIS DESIGN NOR ANY INFORMATION CONTAINED IN THIS DRAWING MAY BE REPRODUCED OR DISCLOSED TO OTHERS WITHOUT THE EXPRESS WRITTEN CONSENT OF LEGRAND | AV.

CAD GENERATED DRAWING, DO NOT MANUALLY UPDATE.			6436 CITY WEST PKWY EDEN PRAIRIE MN, 55344 PHONE: 866-977-3901 FAX: 877-894-6918	
DRAWN BY	MJS 9/29/2022		DESCRIPTION TEMPO FP WALL MOUNT SYSTEM	
ENG APPROVAL		MODEL NO. AS3LD		
MFG APPROVAL		SCALE	SIZE	DWG. NO.
QA APPROVAL		1:8	B	TECH-001251
SHEET 1 OF 5		REV.	03	



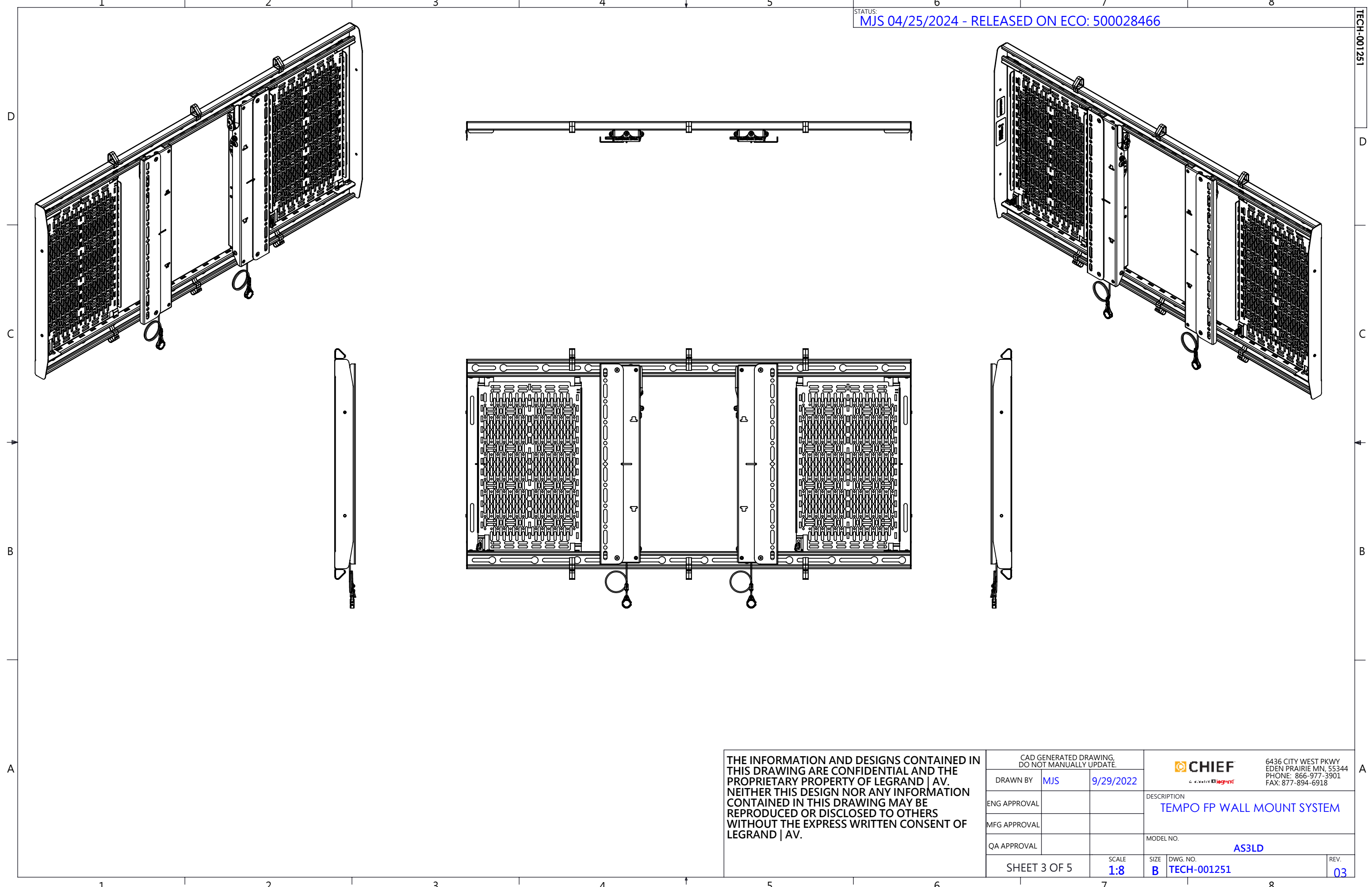
LEVER LOCK PANEL DETAIL

LEVER LOCK PANEL INSTALL SLOTS ARE PROVIDED EVERY 1.50 [38.1] ALONG ENTIRE LENGTH OF RAIL FOR FLEXIBLE POSITIONING OPTIONS.


DETAIL E  
SCALE 1:2

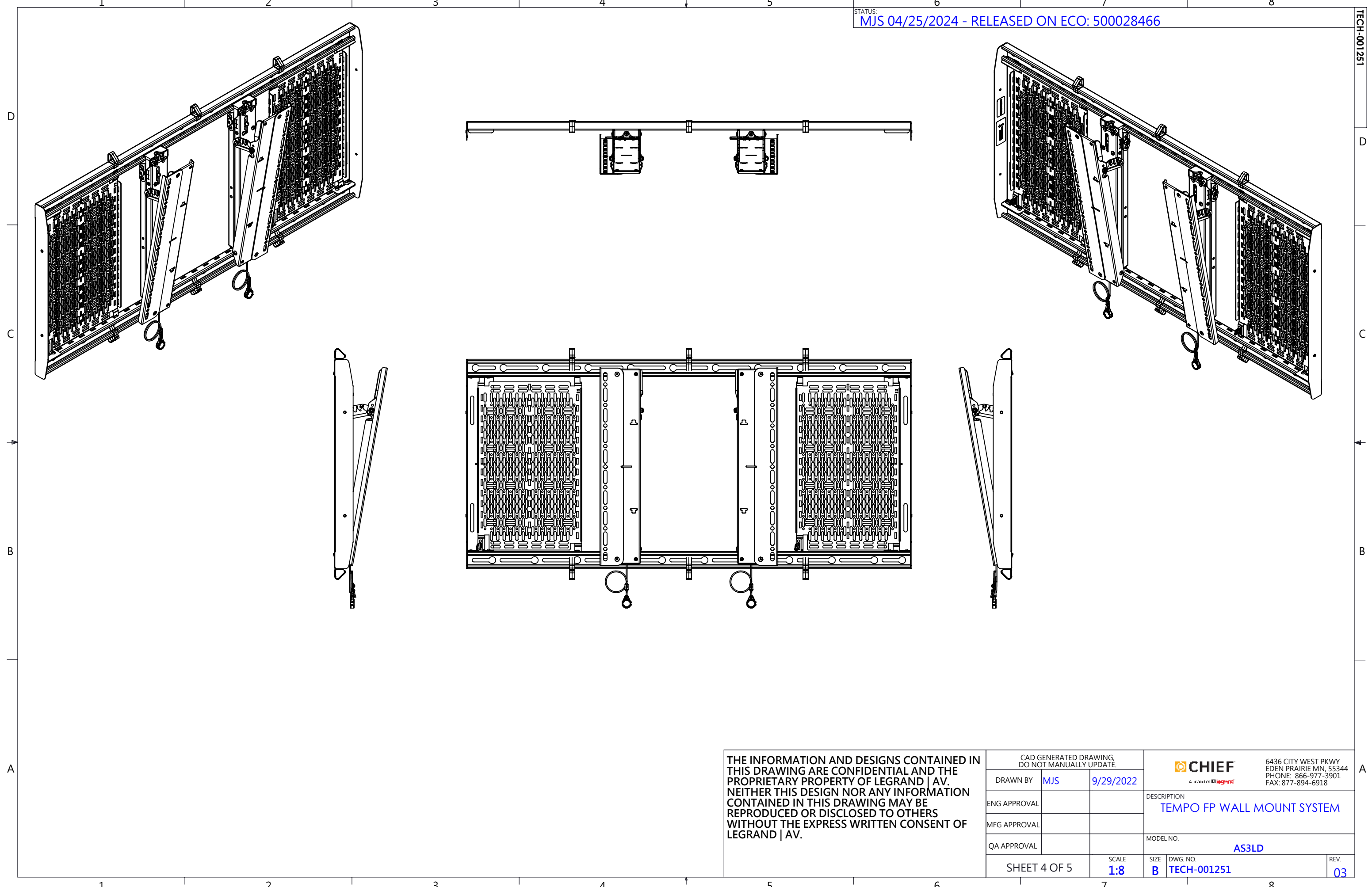
THE INFORMATION AND DESIGNS CONTAINED IN THIS DRAWING ARE CONFIDENTIAL AND THE PROPRIETARY PROPERTY OF LEGRAND | AV. NEITHER THIS DESIGN NOR ANY INFORMATION CONTAINED IN THIS DRAWING MAY BE REPRODUCED OR DISCLOSED TO OTHERS WITHOUT THE EXPRESS WRITTEN CONSENT OF LEGRAND | AV.

CAD GENERATED DRAWING, DO NOT MANUALLY UPDATE.					6436 CITY WEST PKWY EDEN PRAIRIE, MN, 55344 PHONE: 866-977-3901 FAX: 877-894-6918	
DRAWN BY	MJS	9/29/2022	DESCRIPTION TEMPO FP WALL MOUNT SYSTEM			
ENG APPROVAL			MODEL NO. AS3LD			
MFG APPROVAL			SIZE DWG. NO. B TECH-001251			
QA APPROVAL			REV. 03			
SHEET 2 OF 5		SCALE 1:8				




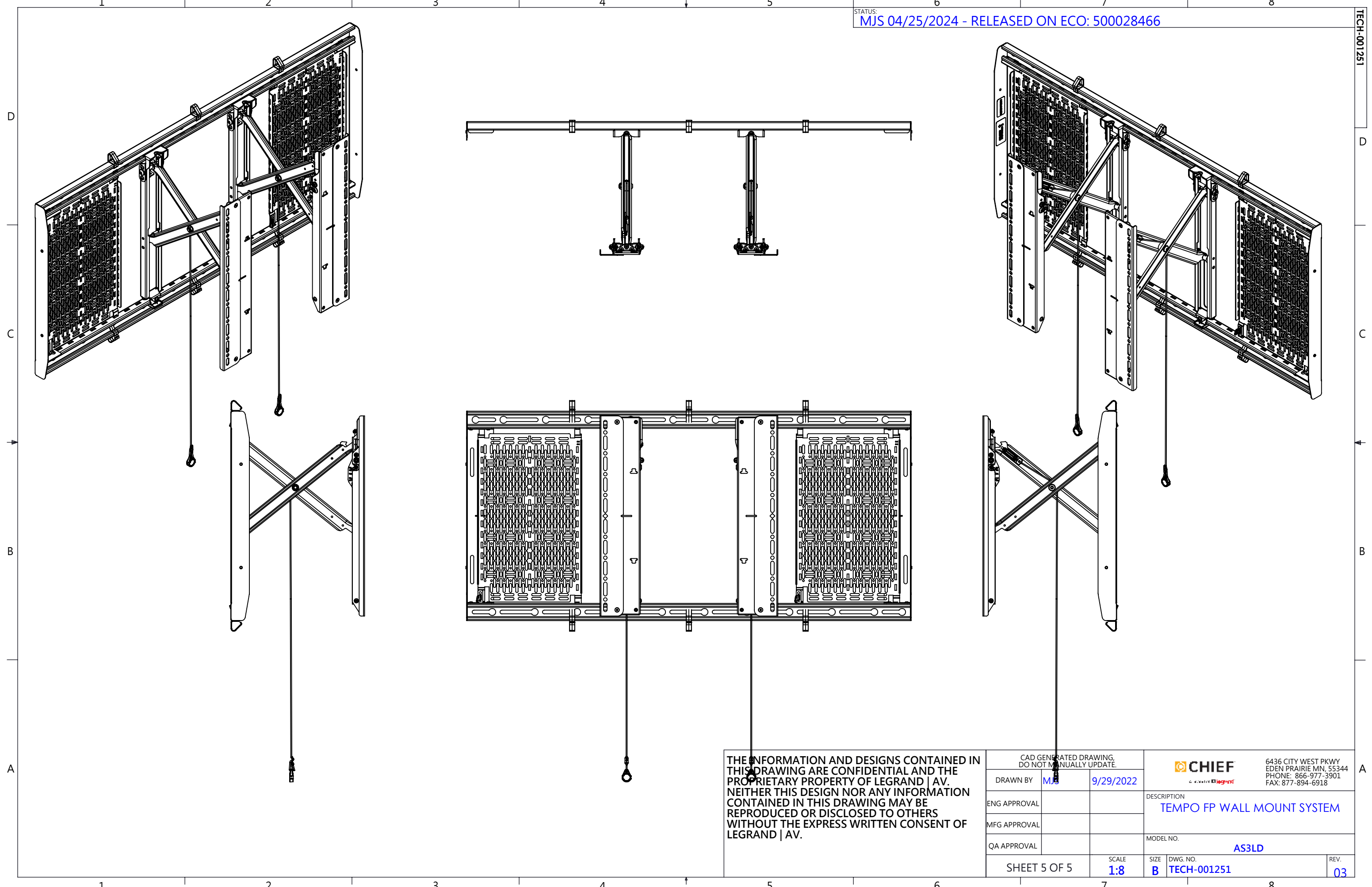
THE INFORMATION AND DESIGNS CONTAINED IN THIS DRAWING ARE CONFIDENTIAL AND THE PROPRIETARY PROPERTY OF LEGRAND | AV. NEITHER THIS DESIGN NOR ANY INFORMATION CONTAINED IN THIS DRAWING MAY BE REPRODUCED OR DISCLOSED TO OTHERS WITHOUT THE EXPRESS WRITTEN CONSENT OF LEGRAND | AV.

CAD GENERATED DRAWING, DO NOT MANUALLY UPDATE.			 6436 CITY WEST PKWY EDEN PRAIRIE, MN, 55344 PHONE: 866-977-3901 FAX: 877-894-6918	
DRAWN BY	MJS	9/29/2022	DESCRIPTION TEMPO FP WALL MOUNT SYSTEM	
ENG APPROVAL			MODEL NO. AS3LD	
MFG APPROVAL			SIZE	DWG. NO.
QA APPROVAL			B	TECH-001251
SHEET 3 OF 5		SCALE 1:8	REV.	03




THE INFORMATION AND DESIGNS CONTAINED IN THIS DRAWING ARE CONFIDENTIAL AND THE PROPRIETARY PROPERTY OF LEGRAND | AV. NEITHER THIS DESIGN NOR ANY INFORMATION CONTAINED IN THIS DRAWING MAY BE REPRODUCED OR DISCLOSED TO OTHERS WITHOUT THE EXPRESS WRITTEN CONSENT OF LEGRAND | AV.

CAD GENERATED DRAWING, DO NOT MANUALLY UPDATE.					6436 CITY WEST PKWY EDEN PRAIRIE, MN, 55344 PHONE: 866-977-3901 FAX: 877-894-6918	
DRAWN BY	MJS	9/29/2022	DESCRIPTION			
ENG APPROVAL			TEMPO FP WALL MOUNT SYSTEM			
MFG APPROVAL			MODEL NO.			
QA APPROVAL			AS3LD			
SHEET 4 OF 5		SCALE	SIZE	DWG. NO.	REV.	
		1:8	B	TECH-001251	03	



THE INFORMATION AND DESIGNS CONTAINED IN THIS DRAWING ARE CONFIDENTIAL AND THE PROPRIETARY PROPERTY OF LEGRAND | AV. NEITHER THIS DESIGN NOR ANY INFORMATION CONTAINED IN THIS DRAWING MAY BE REPRODUCED OR DISCLOSED TO OTHERS WITHOUT THE EXPRESS WRITTEN CONSENT OF LEGRAND | AV.

CAD GENERATED DRAWING, DO NOT MANUALLY UPDATE.			 6436 CITY WEST PKWY EDEN PRAIRIE, MN, 55344 PHONE: 866-977-3901 FAX: 877-894-6918	
DRAWN BY	MJS	9/29/2022	DESCRIPTION TEMPO FP WALL MOUNT SYSTEM	
ENG APPROVAL			MODEL NO. AS3LD	
MFG APPROVAL			SIZE	DWG. NO.
QA APPROVAL			B	TECH-001251
SHEET 5 OF 5		SCALE 1:8	REV. 03	