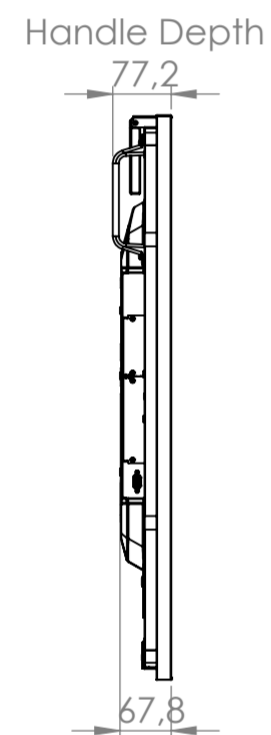
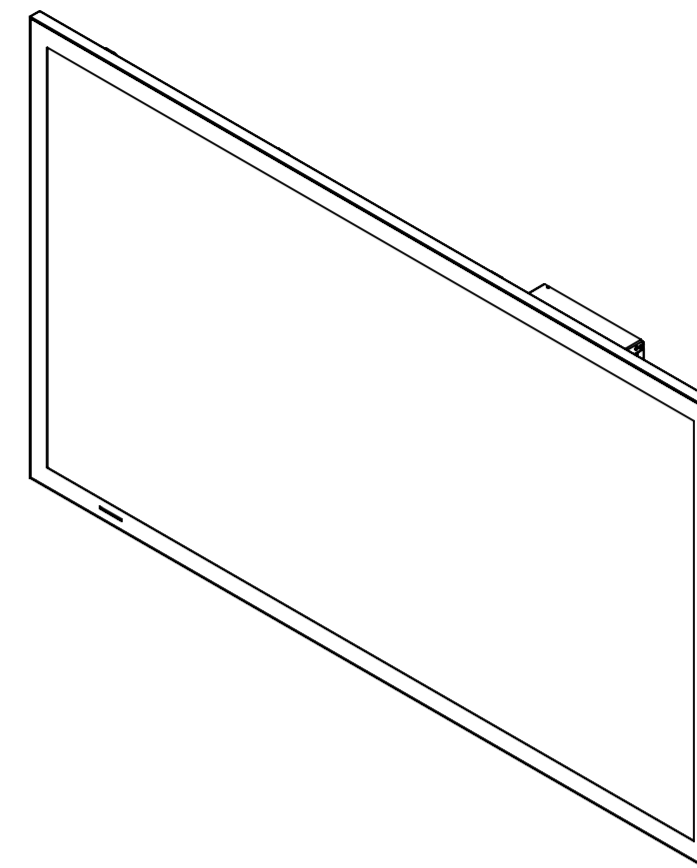
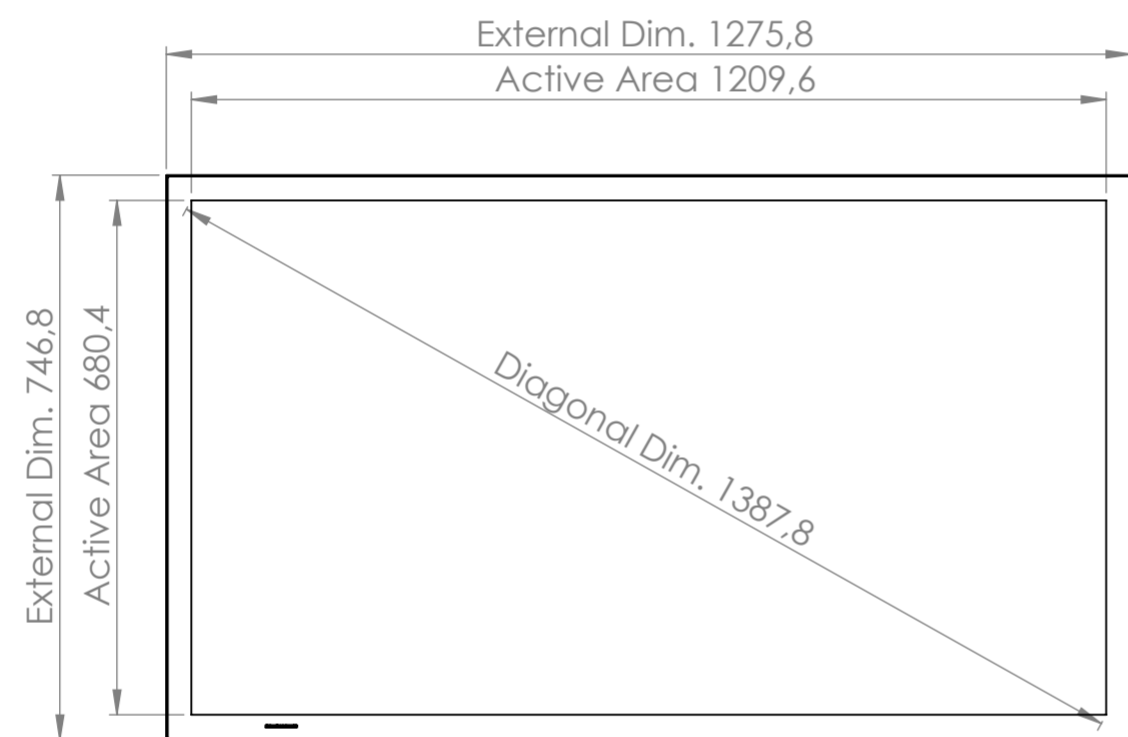


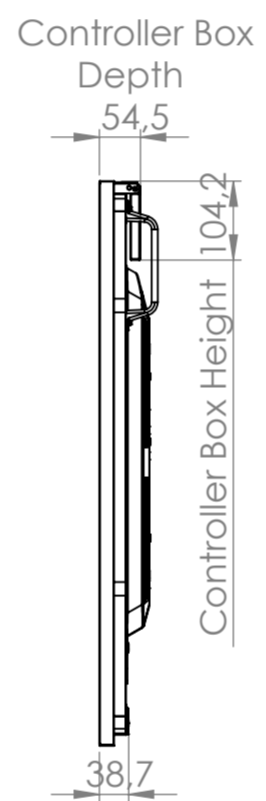
Top View
Scale: 1:10



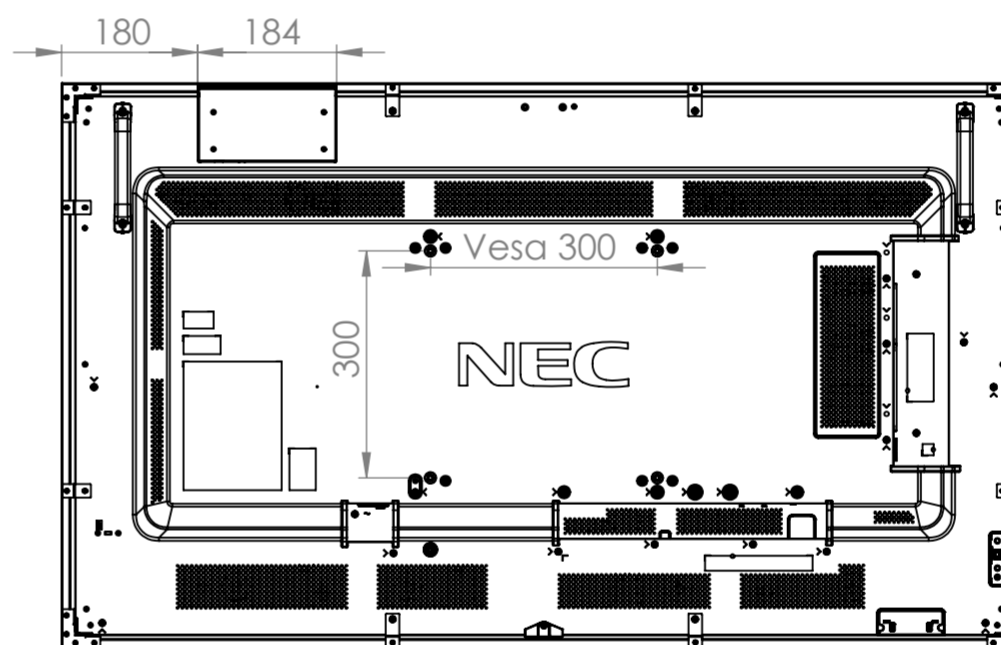
Left Side View
Scale: 1:10



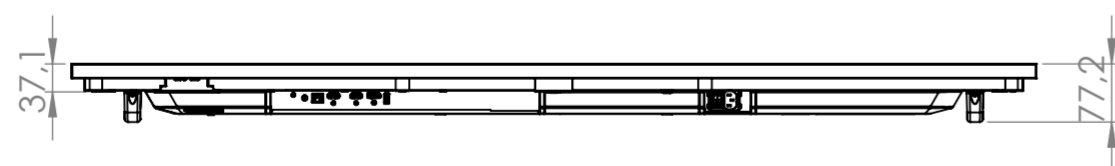
Front View
Scale: 1:10



Right Side View
Scale: 1:10



Back View
Scale: 1:10



Bottom View
Scale: 1:10

UNLESS OTHERWISE SPECIFIED: DIMENSIONS ARE IN MILLIMETERS: TOLERANCES: +/- 0,1mm ANGULAR: MACH +/- 30'			File Owner: U-Touch POLAND ul. Kroczyńskich 45B, 32-300 Chrzanów POLAND All rights reserved. Copying contents without the owner's express consent is forbidden.		DO NOT SCALE DRAWING	CORRECTION
			MATERIAL:		TITLE:	
			NAME		SIGNATURE	
			DATE		DATE	
DREW by			Piotr Postrozny		19.04.2021	
APPROVED			Wojciech Przybyła		27.04.2021	
REVISION			No. 1		19.04.2021	
LAST FILE SAVED DATE:					19.04.2021	
COMMENTS:			PROJECT DESCRIPTION:			
			TM A 5536 - NEC M551 PCAP			
WEIGHT:			SCALE: 1:10			
			SHEET 1 Z 1			

Arkusz1

TM A 5536 - NEC M551 PCAP

SCALE: 1:10

SHEET 1 Z 1