

FEATURE HIGHLIGHTS

- 3,500 ANSI LUMENS HIGH BRIGHTNESS
- 0,6L SHORT THROW RATIO
- USB POWER & HDMI COMPATIBLE
- SMARTECO POWER SAVING TECHNOLOGY
- LAN CONTROL
- POINTWRITE INTERACTIVE SOLUTION COMPATIBLE



Product Specifications

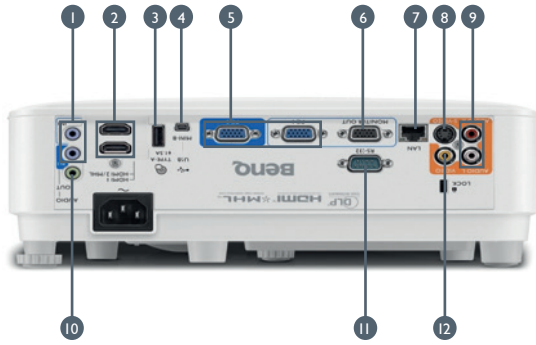
Articlenumber	9HJMV77.13E	
EAN Code	471 8755 08379 2	
Projection System	DLP	
DMD Typ	0.55" XGA	
Native Resolution	1024 x 768 Pixel, XGA	
Brightness	3,500 ANSI Lumens	
Contrast Ratio	20,000 : 1	
Display Color	1.07 Mrd.	
Lens	F=2.6; f=6.9 mm	
Aspect Ratio	Native 4:3 (insgesamt 5 Formate wählbar)	
Projection Size	60" ~ 120"	
Throw Ratio	0.6	
Zoom	Fixed	
Light Source Type	Lamp	
Light Source Life *	Normal 6.000 hours / Eco 10.000 hours / SmartEco 10.000 hours / LampSave 15.000 hours	
Keystone Adjustment	1D, Vertikal ± 30 degrees	
Projection Offset	115% ± 2.5% (Full-Height)	
Resolution Support	VGA (640 x 480) to WUXGA_RB (1920 x 1200) *RB = Reduced Blanking	
Horizontal Frequency	15K ~ 102 kHz	
Vertical Scan Rate	23 ~ 120 Hz	
Compatibility	HDTV Compatibility	480i, 480p, 576i, 576p, 720p, 1080i, 1080p
	3D Compatibility	Frame Sequential: Up to 720p / Frame Packing: Up to 24 Hz 1080p Side by Side Half: Up to 60 Hz 1080p / Top Bottom: Up to 60 Hz 1080p
Built-in Speaker	10W x1	
Weight	2.6 kg	
Power Supply	Normal 260W	
Standby Power Consumption	< 0.5W	
Power Supply	100 ~ 240V AC, 50/60 Hz	
Audible Noise	normal 33 / eco 29 dBA	
Operating Temperature*	0 ~ 40 degrees	
Security	Security Bar, Kensington lock	
Feature	SmartEco Power Saving Technology, 0.6l Short Throw Ratio, Designed for Education & IWB	
On-Screen Display Languages	Arabic / Bulgarian / Croatian / Czech / Danish / Dutch / English / Finnish / French / German / Greek / Hindi / Hungarian / Italian / Indonesian / Japanese / Korean / Norwegian / Polish / Portuguese / Romanian / Russian / Simplified Chinese / Spanish / Swedish / Turkish / Thai / Traditional Chinese (28 languages)	
Picture Modes	Bright / Presentation / Infographic / Video / sRGB / (3D) / User 1 / User 2	
Accessories	Standard	Optional
	Remote Control with Battery	PointWrite PW02
	Power Cord (by region)	FingerTouch PT12
	Quick Start Guide	Spare Lamp Kit (5JJMF05.001)
	Warranty Card (by region)	Wall Mount (WM06G3)
	User Manual e-edition	Dust Filter (5JJGV14.001)
Guarantee	36 month	

* Lamp life results will vary depending on environmental conditions and usage. Actual product's features and specifications are subject to change without notice.

MX825STH
BenQ DLP Projector

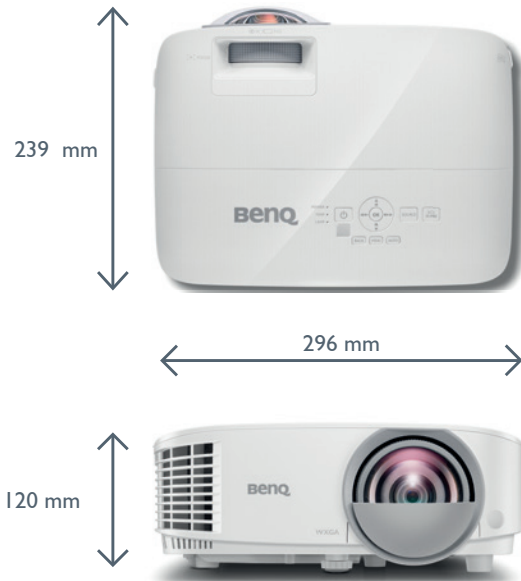
BenQ

Input and Output Terminals



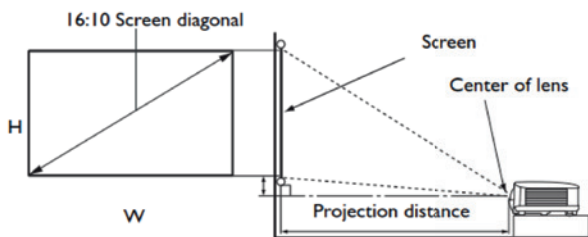
- | | |
|------------------------------|-------------------------------|
| 1 Audio in (Mini Jack) | 7 LAN (RJ45) |
| 2 HDMI | 8 S-Video in (Mini Jack 4pin) |
| 3 USB Typ A | 9 Audio L/R in (RCA) |
| 4 USB Typ Mini B | 10 Audio out (Mini Jack) |
| 5 Computer in (D-sub 15pin) | 11 RS232 (DB-9pin) |
| 6 Computer out (D-sub 15pin) | 12 Composite Video in (RCA) |

Dimensions

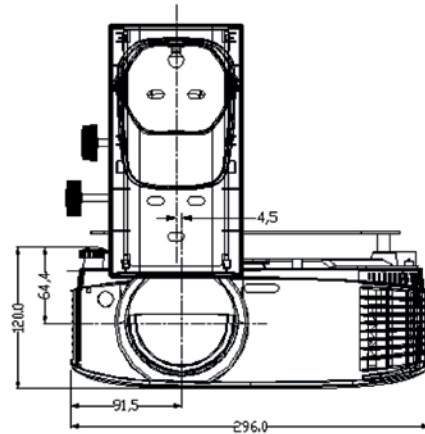


Distance Chart

Screen Size				Distance from screen (mm)	Lowest/ Highest lens position (mm)
Diagonal		W (mm)	H (mm)		
Inch	mm				
70	1778	942	1508	739	47
80	2032	1077	1723	844	54
90	2286	1212	1939	950	61
100	2540	1346	2154	1055	67
110	2794	1481	2369	1161	74
120	3048	1615	2585	1267	81



Ceiling Mount Chart



BenQ Europe B.V.

Meerenakkerweg 1-17
5652 AR Eindhoven
The Netherlands
Tel: +31 88 8889200

BenQ.eu

© 2020 BenQ Corp. Specifications may vary by region, please visit your local stores for details. Actual product's features and specifications are subject to change without notice. This material may include corporate names and trademarks of third parties which are the properties of the third parties respectively. Latest Update: 2020-12-14

BENQ