



Datenblatt - Fiche technique - Data sheet

17.03.0103



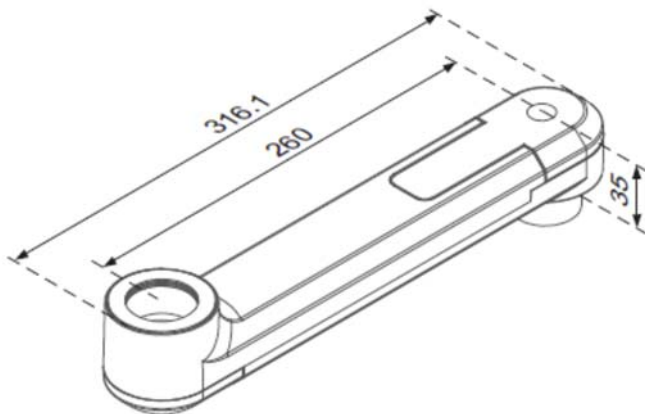
**ROLINE Modulares Arbeitsplatz-System,
Verlängerungsarm, 1 Gelenk,**

**ROLINE Modular System Extension Arm,
1J. ROLINE Bras LCD pivotant, 3 pivots, montage mural,**

ROLINE Modular System Extension Arm, 1Joint,

Item no.: 17.03.0103

ROLINE Modular System, Extension Arm, 1x joint, white



unit:mm

Features:

- Assembly part for display mount which are used for various applications in the Industrial, Office, Education, Hospital, and other fields
- One joint, max. loading up to 22 kgs
- Material: aluminium
- Colour: white

